

# **S/SGA BF X 80 EE**

# **S/SGA BF X 100 EE**

**GAS-FIRED STORAGE WATER HEATER**  
**OGRZEWACZ ZASOBNIKOWY OPALANY GAZEM**  
**GÁZÜZEMŰ TÁROLÓS VÍZMELEGÍTŐ**  
**ZÁSOBNÍKOVÝ OHŘÍVAČ VODY**  
**AKUMULACNÝ PLYNOVÝ OHRIEVAC VODY**

- GB**    **INSTALLATION AND MAINTENANCE INSTRUCTIONS**
- PL**    **INSTRUKCJA INSTALACJI I KONSERWACJI**
- HU**    **KEZELÉSI, SZERELÉSI ÉS KARBANTARTÁSI UTASÍTÁS**
- CZ**    **NAVOD NA INSTALACI A OBSLUHU**
- SK**    **NÁVOD NA INŠTALÁCIU A ÚDRŽBU**

## GENERAL SAFETY INSTRUCTIONS

1. **Carefully read the instructions and warnings contained in this manual; they provide important information for the safe installation, use and maintenance of your new appliance. This manual constitutes an integral and essential part of the product. It must always accompany the appliance, even when the latter is transferred to another owner or user and/or is installed on another system.**
2. The manufacturer shall not be held liable for any damage or injury to persons or animals due to improper, incorrect and unreasonable use or due to failure to comply with the instructions set forth herein.
3. This appliance is designed to produce hot water for domestic use. It should be connected to the distribution mains supply for domestic hot water in accordance with the performance levels and power rating of the appliance. It is strictly forbidden to use the appliance for purposes other than those specified. The manufacturer shall not be held liable for any damage due to improper, incorrect or unreasonable use or due to failure to comply with the indications outlined in this manual.  
The installation technician must be qualified and authorised to install heating equipment pursuant to Ministerial Decree n. 37, 22 January 2008 and subsequent amendments, updating the law governing the installation of systems inside buildings. This appliance, as regards contact with domestic water, satisfies the provisions of Ministerial Decree n. 174/2004, 6 April 2004.
4. Installation, maintenance and all other interventions must be carried out in full conformity with current legal regulations and any instructions provided by the manufacturer, pursuant to applicable law (Presidential Decree 74/2013 and subsequent amendments).  
In the event of faults and/or malfunctions, switch the appliance off and shut off the gas valve. Do not attempt to perform any repairs yourself but contact a qualified professional instead.  
Any repairs must be carried out by qualified technicians using original spare parts only. Failure to comply with the above may jeopardise the device's safety and void the manufacturer's liability.  
In the event of any maintenance or other work on structures in the immediate vicinity of the ducts or flue gas discharge devices and relevant accessories, turn the appliance off and on completion of the work, have the efficiency of the relative ducts or devices checked by a qualified professional.
5. Keep all packaging material (clips, plastic bags, expanded polystyrene, etc.) out of reach of children, as it may be potentially dangerous.
6. The appliance can be used by children older than 8 years and by people with reduced physical, sensory or mental abilities, or who lack adequate experience and the necessary knowledge, provided they are supervised or have been instructed on the safe use of the appliance and on the potential risks connected with it.  
Children must not play with the appliance. Any cleaning and maintenance performed by the user must not be effected by unsupervised children.
7. It is mandatory to fit a regulatory safety valve onto the appliance's water inlet pipe. For countries that have implemented standard EN 1487, the safety unit must have a maximum pressure of 0.7 MPa and must include at least a shut-off valve, a check valve, a safety valve and a water pressure shut-off device.
8. The pressure safety device (safety valve or unit) must not be tampered with and must be operated regularly to verify that it is not clogged and to remove any limescale deposits.

9. It is normal that the safety unit drip when water is being heated. For this reason the drain outlet must be connected and always left open to the atmosphere, with a continuously downward-sloping drainage pipe installed in a location which is not subject to icy conditions.
10. The appliance must be drained and disconnected from the mains if it is to be left inactive in a room subject to frost.
11. Hot water running from taps at temperatures above 50°C may immediately cause serious burns. Children, the disabled and the elderly run a greater risk in this regard. It is therefore advisable to use a thermostatic mixing valve connected to the appliance's water outlet pipe (which is identified by a red collar).
12. No flammable items should be left in contact with or in the vicinity of the appliance.
13. Do not stand under the appliance or place anything under it that may be damaged by water leaks, for instance.
14. Do not use insecticides, solvents or aggressive detergents to clean the appliance; these may damage the plastic or coated surfaces.
15. If you detect a smell of burning or smoke coming from the appliance, shut it off, turn off the main gas valve, open all windows and call for assistance. Risk of injury due to burning, smoke inhalation or intoxication.
- 16. To keep the appliance in good working order, it must be serviced annually and have its combustion tested as required by local legislation. The technician doing these jobs must be qualified and fill out the maintenance booklet, as required by law.**

# INSTRUCTIONS FOR THE USER

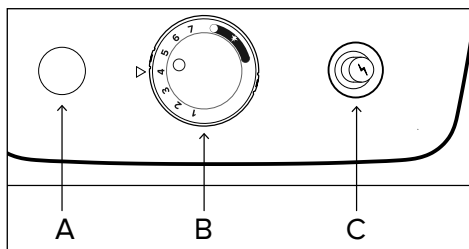


## WARNING!

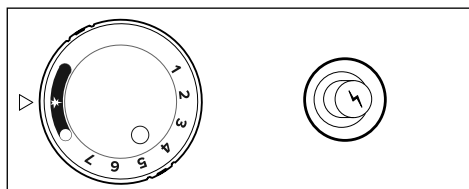
Installation, first ignition and maintenance work must be performed by qualified personnel only, in accordance with the instructions provided.

Incorrect installation may harm individuals, animals or property; the manufacturer will not be held responsible for any damage caused as a result. If the appliance is installed inside the apartment, make sure that all provisions relating to the air inlet and room ventilation (in compliance with current legislation) are respected.

## IGNITION PROCEDURE



Turn knob B from (off) to (pilot).

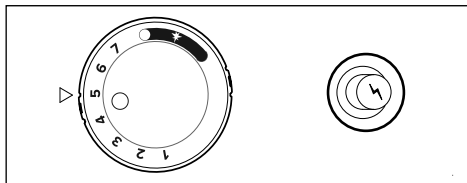


Press knob B fully in and hold it there; now press the piezoelectric igniter C. Check for a flame through hole A. Once the flame is on, continue holding knob B pressed in for a further 20 seconds or so. If the pilot flame does not stay on, repeat the above procedure.

## SETTING THE WATER TEMPERATURE

Knob B can be used to set the hot water temperature.

Turn the knob from the ignition position to the index from 1 to 7.



For an higher availability of hot water, it is advisable to leave the knob to position (5) and to mix the water to get the desired temperature.



## CAUTION!

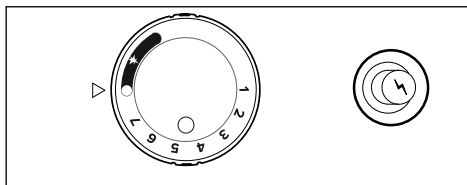
Hot water dispensed at temperature above 50°C may immediately cause severe burns.

The temperature of the water in the product may rise over this threshold, in particular after prolonged periods of inactivity, due to the high thermal insulation. Always check the temperature of the water before using it.

It is advisable to use a thermostatic mixing valve.

## SWITCHING THE APPLIANCE OFF

To switch the appliance off, turn knob B to (off).



It is advisable to turn off the product in case of prolonged periods of inactivity

# INSTRUCTIONS FOR THE USER

## SUGGESTIONS FOR USE

Make sure that all hot water taps are tight and do not leak, as any leaks cause use of gas and can increase the water temperature.

It is essential to drain the heater if it will not be used and is in an area subject to freezing temperatures.

To drain the heater, you must:

- a) turn off the burner and close the gas supply valve;
- b) close the upstream water supply valve;
- c) remove the cold water supply pipe and remove the safety valve;
- d) connect a hose, of adequate length to reach the drain, to the water inlet fitting (blue ring) on the heater;
- e) open the hot water supply valve downstream of the water heater.

### **Warning!**

**When draining the heater, the water leaving the heater can be very hot.**

Clean using a cloth dampened with soapy water. Do not use aggressive detergents, insecticides or toxic products.

If the appliance is used in full compliance with current legislation, it will operate in a safe, environmentally-friendly and cost-efficient manner.

NOTE: during this cleaning operation the inside water tank must not suffer any blows that could damage the internal protective lining.

## RECOMMENDATIONS FOR PREVENTION OF LEGIONELLA GROWTH

Legionella are small rod shaped bacteria which are a natural constituent of all fresh waters. Legionnaires' disease is a serious pneumonia infection caused by inhaling the bacteria Legionella pneumophila or other Legionella species.

This bacterium is frequently found in domestic, hotel and other water systems and in water used for air conditioning or air cooling system. Hence the main intervention against the condition is prevention, through control of the organism in water systems.

The European standard CEN/TR 16355 gives recommendations for good practice concerning the prevention of Legionella growth in drinking water installations but existing national regulations remain in force.

This storage water heater is sold with a thermostat set at a temperature higher than 60°C; it means it is enabled to carry out a "thermal disinfection cycle" to restrict the Legionella growth inside the tank.

To prevent it from stagnating for long periods, water must be used or run abundantly at least once a week;

### **WARNING!**

**Water heated to more than 50°C can cause serious burns. Always check the temperature of the water before using it.**

## SAFETY REGULATIONS (FOR THE INSTALLER)

Key to symbols:



Failure to comply with this warning implies the risk of personal injury, in some circumstances even fatal.



Failure to comply with this warning may result in serious damage to property, plants or animals. The manufacturer is not liable for damage resulting from improper use of the product or failure to install it as instructed herein.

**Install the appliance on a solid basement which is not subject to vibration.**



Noisiness during operation.

**When drilling holes in the wall for installation purposes, take care not to damage any electrical wiring or existing piping.**



Electrocution caused by exposure to live wires.

Damage to existing plants.



Flooding due to water leaking from damaged pipes.

**Make sure the installation site and any systems to which the appliance must be connected comply with applicable regulations.**



Electrocution caused by contact with live wires that have been incorrectly installed.



Damage to the device caused by improper operating conditions.

**Use suitable manual tools and equipment (make sure in particular that the tool is not worn out and that its handle is fixed properly); use them correctly and make sure they do not fall from a height.**

**Replace them once you have finished using them**



Personal injury caused by flying splinters or fragments, inhalation of dust, knocks, cuts, puncture wounds and abrasions.



Damage to the device or surrounding objects caused by flying splinters, knocks and incisions.

**Make sure that any portable ladders are securely positioned, that they are strong enough, that the steps are intact and not slippery, that the ladders are not moved with someone on them and that someone supervises at all times.**



Personal injury caused by falling from a height or shearing (stepladders shutting accidentally).

**Make sure that any rolling ladders are positioned securely, that they are suitably sturdy, that the steps are intact and not slippery. Make sure that the ladders are fitted with handrails on either side of the ladder and parapets on the landing.**



Personal injury caused by falling from a height.

**During all work carried out at heights (generally above two metres), make sure that parapets are used to surround the work area or that individual harnesses are used to prevent falls. The space where any accidental fall may occur should be free from dangerous obstacles, and covered by semirigid or deformable surfaces for cushioning.**



Personal injury caused by falling from a height.

**Make sure that the work area has adequate hygiene and health conditions in terms of lighting, venti-**

lation and the solidity of relevant structures.



Personal injury caused by knocks, stumbling, etc.

**Protect the appliance and all areas in the vicinity of the work site using suitable material.**



Damage to the device or surrounding objects caused by flying splinters, knocks and incisions.

**Handle the appliance with suitable protection and with care.**



Damage to the device or surrounding objects caused by shocks, knocks, incisions and crushing.

**During all work procedures, wear individual protective clothing and equipment. Do not touch the installed product if barefoot or if any part of your body is wet.**



Personal injury caused by electrocution, flying splinters or fragments, inhalation of dust, shocks, cuts, puncture wounds, abrasions, noise and vibration.

**Arrange materials and equipment in such a way as to make handling easy and safe, and avoid forming any piles which could give way or collapse.**



Damage to the device or surrounding objects caused by shocks, knocks, incisions and crushing.

**All operations on the inside of the appliance must be performed with the necessary caution in order to avoid abrupt contact with the sharp parts.**



Personal injury caused by cuts, puncture wounds and abrasions.

**Reset all safety and control functions affected by any work carried out on the appliance and make sure that they operate correctly before restarting it.**



Damage or shutdown of the device caused by out-of-control operation.

**Svuotare i componenti che potrebbero contenere acqua calda, attivando eventuali sfiati, prima della loro manipolazione.**



Lesioni personali per ustioni.

**Descale the components, in accordance with the instructions provided on the “safety data sheet” of the product used, airing the room, wearing protective clothing, avoid mixing different products, and protect the appliance and surrounding objects.**



Personal injury caused by acidic substances coming into contact with skin or eyes, inhaling or swallowing of harmful chemical agents.



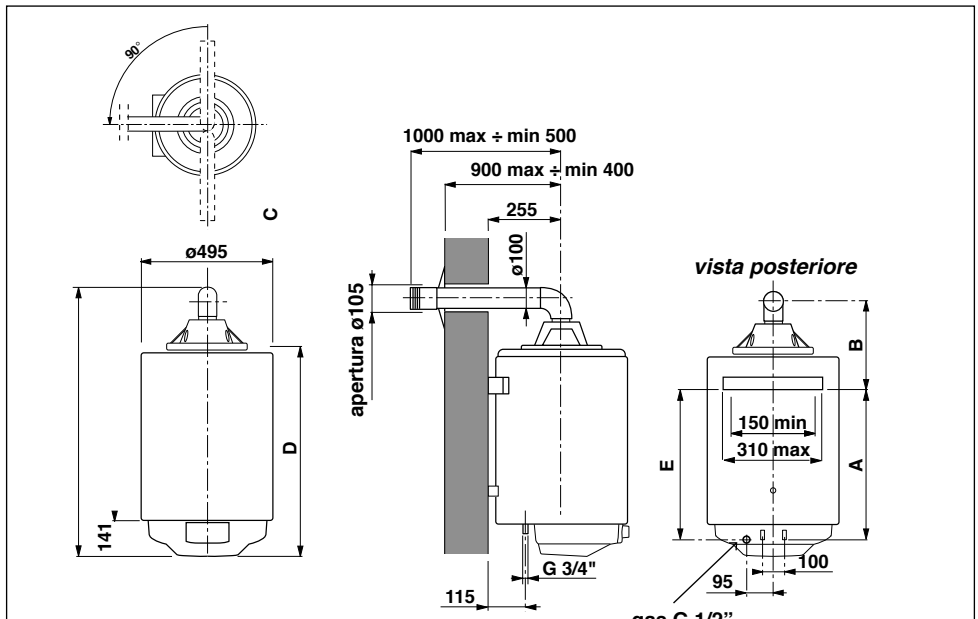
Damage to the appliance or surrounding objects due to corrosion caused by acidic substances.

## TECHNICAL CHARACTERISTICS

### The heater is made up of:

- a tank protected inside by a layer of vitreous enamel, with a long-life anode for protection against corrosion;
- an outer covering in painted steel;
- an insulation using high density polyurethane foam (without CFC) that reduces heat losses;
- a gas valve complete with:  
an adjustable thermostat with a number of positions,  
a safety system using a thermocouple,  
a temperature limiter that stops the gas supply if operation is not correct;
- a tubular low-noise stainless steel burner, adaptable for use with all types of gas;
- piezoelectric ignition;
- a safety device to protect against the return of fl ue gas.

## OVERALL SIZE



MODEL	Capacity (litres)	A	B	C	D	E
80	75	495	365	945	702	510
100	100	640	375	1125	847	656

**CATEGORY II<sub>2H3+</sub>**  
**Type C11**

for heaters arranged for operation with natural gas (methane) adaptable to operation with LPG.





### **WARNING!**

**Install the appliance to a solid wall, not subject to vibrations.**

**When drilling the wall, take care not to damage any existing electrical wiring or pipes.**

**Make sure the installation site and any systems to which the appliance must be connected comply with applicable regulations.**

### **POSITIONING**

To allow easy access for maintenance, make sure to install the unit with sufficient clearance around it.

Position the appliance according to established technical rules, using a spirit level.

The appliance mounts to the wall with heavy duty hooks (rated to bear the weight of the appliance when fully charged with water) installed to the wall. The clearances are given in the overall dimensions table.

### **Place of installation**

The choice of installation location must observe applicable regulations.

The appliance must be installed perfectly vertical. The appliance may not be installed in the vicinity of a source of heat.

Do not install the appliance in a place where the temperature may fall below 0°C.

## **WATER CONNECTION**

- Connect the heater to the water distribution system using a 3/4" pipe. The cold water inlet is on the right (blue ring) while the hot water outlet is at the left (red ring) as seen from in front of the heater.
- The heater must be fitted with a water safety valve - non-return valve (supplied with the heater) fitted to the inlet pipe (blue ring). You must not tamper with the valve for any reason.
- Make sure by running the water for some time, that there is no foreign material in the water supply line, such as swarf, sand, pipe dope etc. Should any such material enter the water safety valve - non return valve, there can be faulty valve operation and in some case faults to the valve itself.
- Make sure that the water supply pressure is lower than 8 bar (0.8 MPa). If the pressure is higher, you must fit a high quality pressure reducer valve. In this case the safety valve will necessarily drip during heating. Said drip-page must appear even if upstream of the valve there is a non-return valve.

### **IMPORTANT!**

**If the appliance is installed in a hard water area (> 200 mg/l), a softener should be installed to limit the amount of limescale building up in the heat exchanger. The guarantee does not cover damage caused by limescale.**

## CONNECTION OF FLUE GAS EXHAUST AND VENTILATION DUCTS

The flue gas exhaust and ventilation ducts must be installed in conformity with established regulations and the manufacturer's instructions.

The appliance is intended to operate in mode C, with air supplied from outdoors.

When installing an exhaust system be careful when handling the seals, in order to avoid flue gas leaking into the air circuit.

Horizontally-installed piping must have a downward incline of 3% so as to avoid the build-up of condensate.

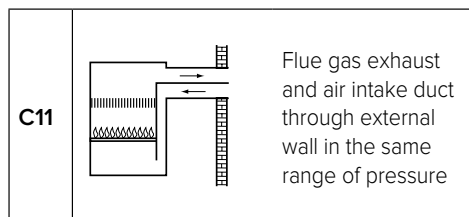
When implementing coaxial suction/exhaust systems the use of authentic accessories is obligatory.

The flue gas exhaust ducts must not be in contact with or placed near flammable materials, and must not cross building structures or walls made using flammable material.

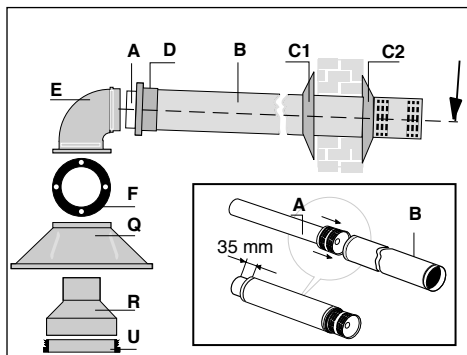
The suction/exhaust ducting connection kits are supplied separately from the appliance, according to different installation solutions. Carefully read the instructions contained in the KITS.

### Type of air suction/flue gas exhaust ducting

Combustion air drawn from outside



### INSTALLATION WITH COAXIAL FLUE PIPES (TYPE C11)



- A.** Aluminium flue pipe  $\varnothing 60$  complete with terminal L = 1000 mm (exhaust)
- B.** Aluminium flue pipe  $\varnothing 100$  L = 860 mm (air intake)
- C1-C2.** Rubber collar (n° 2)
- D.** Rubber sleeve for connecting the pipe and bend
- E.** 90° aluminium bend
- F.** Gasket
- Q.** Upper air hood
- R.** Flue pipe adapter 90/60
- S.** O-Ring gasket (n° 2)
- T.** Diaphragm
- U.** Exhaust gasket

The exhaust is generally located at the back but may also be at the side, with a 90° angle. Install the unit as follows:

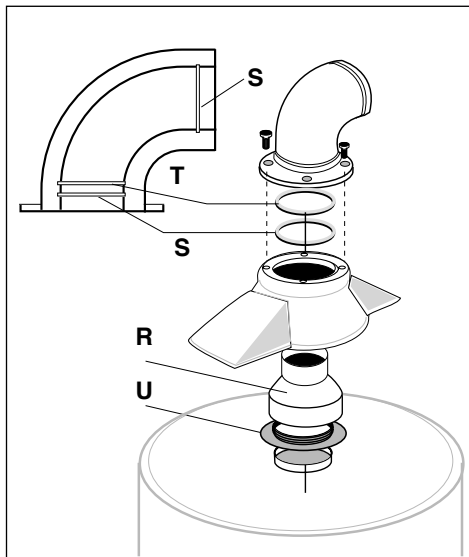
- Fit the gasket U to the exhaust pipe, then insert the adapter R (it is held in place by compression).
  - Install the air hood Q with the included screws.
  - Fit the adhesive gasket F to the top of the hood Q.
  - Drill a  $\varnothing 105$  mm hole in the wall in such a way that the pipes are sloping slightly downwards.

- If the exhaust and ventilation pipes must be shortened, cut them to the desired length while making allowance for the 35 mm protrusion of the Ø 60 pipe.
- Fit the exhaust pipe A into pipe B until it encounters the stop at the end.
- Insert the two gaskets S and the diaphragm T into the bend E according with following table

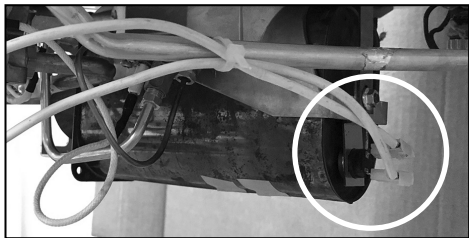
L= Length exhaust pipe [mm]		
	min 500 < L < 750	750 < L < 1000
T	YES	NO

- Insert the inner collar C1 into the Ø100 pipe.
- Fit the rubber sleeve D onto pipe B.
- Insert the coaxial pipe with terminal into the hole in the wall.
- Fit the outer collar C2 onto the Ø100 pipe.
- Join the ends of the pipes with the bend E so that the combusted gas exhaust pipe A enters the flue gas bend and the air ventilation pipe B is spaced by around 5 mm.
  - Fit the rubber sleeve D so that it covers the space between the bend E and the Ø 100 mm pipe.
- Fit the bend E onto the air hood Q with the included 4 screws.
  - Use cement mortar or a similar material to seal off the space between pipe B and the wall.

**In this type of installation, the pipes should not be longer than 1 m. Do not use extensions of any kind.**



**Clicson**  
(overtemperature protection 120°C±3)



## GAS CONNECTION



### WARNING!

**Installation, first ignition and maintenance work must be performed by qualified personnel only, in accordance with the instructions provided.**

- Make sure that the main gas supply matches the gas type on the unit's data plate
- Open all doors and windows
- Make sure there are no sparks or naked flames in the room
- Water heaters are normally adjusted for operation using methane gas G20 (PCI) 8100 kcal/m<sup>3</sup> approximately. No adjustment is needed if this gas is in use.

Adjustment for other types of gas must be done only by qualified personnel.

- Use a 1/2" size pipe to connect the gas supply to the valve.
- We suggest you fit a stop valve in the gas supply line, upstream of the gas unit.
- Make the connection to the gas supply using rigid pipes (steel, copper etc) and not thermoplastic nor rubber pipes.
- After taking off the cover and making the connection, check for leaks in the gas system using soapy water.  
Do not use a flame for this test.

The water heater has a magnesium anode fitted in the tank. The life of the anode

is proportional to the average temperature, the chemical composition and the amount of water supplied.

We suggest you check the state of the anode every 18-24 months, noting that the surface must be relatively smooth. If the diameter is less than 10-12mm, we suggest you replace the anode with a new original anode.

The anode is fitted in the lower part of the water heater, below the protection cover.

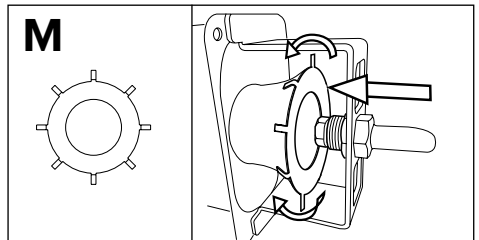
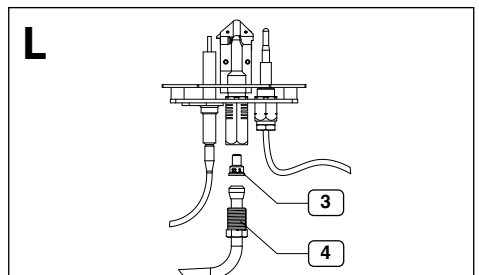
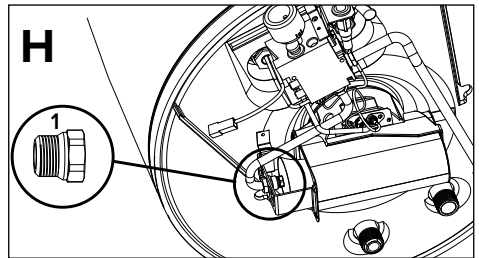
## RESERVED FOR INSTALLATION PERSONNEL

### Instructions for conversion of the fuel gas from the original settings: from Natural gas (G20) to liquefied gas LPG (G30-G31) with Gas valve Model EUROSIT

To adapt the water heater to a type of gas differing from that set originally, proceed as follows:

- Replace nozzle 1 of the main burner, **fig. H**.  
Unscrew and extract nozzle 1 and replace it the new one.
- Undo fitting 4, **fig. L**. and pull the tube outwards. Replace pilot nozzle 3 with the correct one.  
Fit and secure fitting 4.
- insert the diaphragm between the nozzle and the Venturi, as shown in **fig. M**
- The nozzle hole sizes (1/100 cm) are given in the following table.

**Don't put anything among the nozzle and the inlet of Venturi pipe.**



	MAIN BURNER	PILOT BURNER
Methane (G20)	160	22x2
Liquid Gas (G30 G31)	100	22x1

### ADJUSTING THE PILOT FLAME (EUROSIT valve)

Adjust by acting on screw 13 in **figure S**.  
The pilot flame is correctly adjusted when its length is approximately 2-3 cm and the flame touches the upper part of the thermocouple.

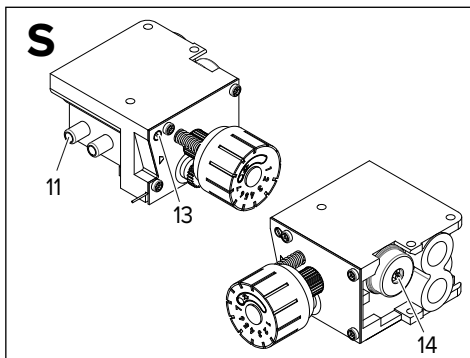
## CHECKING THE SUPPLY PRESSURE

The gas supply pressure measured at the pressure fitting 11, **fig. S**, using a pressure gauge and expressed in mbar, must be:



**WARNING!**

In case of use of G30, G31 Gas, screw in clockwise for at least 12 turns the screw 14 (**fig. S**)



		GAS SUPPLY PRESSURE	BURNER PRESSURE
Methane (G20)		20 mbar	13 mbar
LPG	Butane (G30)	29 mbar	28,5 mbar
	Propane (G31)	37 mbar	36 mbar

## IGNITION

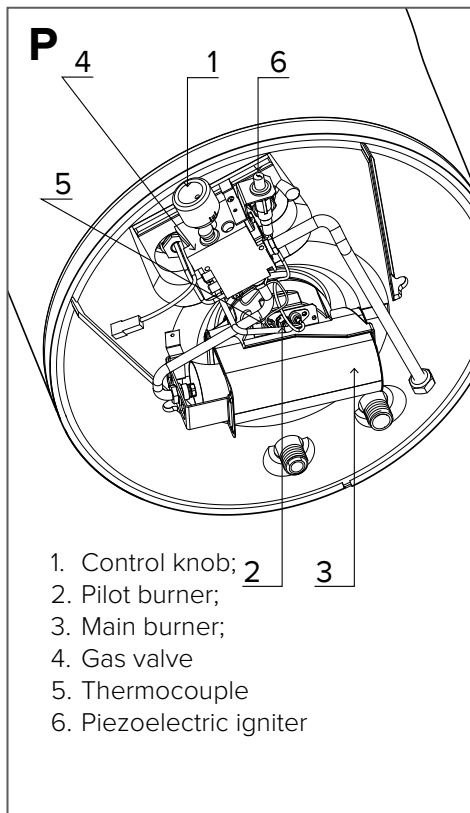


**WARNING!**

After the adjustments the burner may have moved with respect to the original position. Check therefore that it is exactly centred and aligned with the flue gas pipe and with the combustion chamber.

Turn knob 1 from **O** (off) to **★** (pilot), **fig. P**. Press knob 1 fully in and hold it there; now press the piezoelectric igniter 2. Check that the burner flame is on. Once the flame is on, continue holding knob B pressed in for a further 20 seconds or so. If the pilot flame does not stay on, repeat the above procedure.

The longer time is required to enable all air to exit the gas pipe.



## MAINTENANCE

Maintenance is an essential to the safe and efficient operation of the appliance and ensures a long service life. It should be performed in accordance with the instructions set out by current legislation.



### WARNING!

**Before doing any maintenance work, close the gas supply cock and the domestic water circuit cock.**

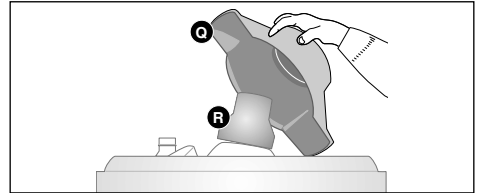
We recommend you make the following checks on the water heater at least once a year

1. Check for water leaks.
2. Check for gas leaks and replace gaskets as necessary.
3. Inspect the overall condition of the water heater and the combustion.
4. Inspect the combustion chamber and clean the burner if necessary.
5. Following checks 3 and 4, remove and clean the nozzle if necessary.
6. Adjust for correct gas flow rate.
7. Check operation of the water safety devices (temperature and pressure limits).
8. Check for correct operation of gas safety systems (gas or flame failure, gas valve etc)
9. Check that the room is correctly ventilated.
10. Check that the combustion products (flue gas) are exhausted correctly.

NB: during this cleaning operation the inside water tank must not suffer any blows that could damage the internal protective lining.

### Cleaning the flue exhaust pipe

Turn the appliance off, then disassemble the upper hood Q and flue adapter R as shown in the figure;



extract the flue deflector and clean the flue with a metal brush, taking care not to damage its coating with blows.

### Information for the user

Inform the user on how to operate the appliance.

In particular, provide the user with the instruction manual and inform him/her that it must be stored with the appliance.

Moreover, make sure the user is aware of the following:

- How to set the temperature and adjustment devices for using the appliance correctly and in a more cost-efficient way.
- The system must be serviced regularly in compliance with the law.
- The settings relating to the supply of combustion air and combustion gas must not in any event be modified.

## LABEL

serial number		
00000000 0014312 00000000		
Production Year	Date production (referred day of the year)	

## TECHNICAL DATA

Supplier's model identifier		<b>S/SGA BF X..</b>	
Model		80	100
Certificate CE		51CT4924	
Nominal capacity	l	75	100
Real capacity	l	75,7	99,3
Nominal pressure	bar	8	8
Nominal heat rating	kW	3,7	3,7
Nominal heat rating (G30-G31)	kW	3,5	3,5
Useful rating	kW	3,3	3,3
Useful rating (G30-G31)	kW	3,1	3,1
Heating time for DHW t 45°C	min.	54	64
<b>Erp DHW</b>			
Declared Load profile		M	M
Water heating efficiency $\eta_{wh}$	%	65	65
Water Heating efficiency class		A	A
Daily fuel consumption $Q_{fuel}$	kWh	9,916	9,916
Sound power level LWA $L_{WA}$	dB	55	55
Emissions of nitrogen oxides	[mg/kWh]	54	54
Annual fuel consumption AFC	GJ/annum	7,1	7,1
Mixed water at 40°C V40	l	95	120
Set-point temperature "out of the box"	°C	60	60
Thermostat temperature settings		5	5
<b>Gas supply pressure</b>			
G20 Methane	mbar	20,0	20,0
G30 Butane LPG	mbar	29,0	29,0
G31 Propane LPG	mbar	37,0	37,0
<b>gas consumption</b>			
G20 Methane	m <sup>3</sup> /h	0,416	0,416
G30 Butane LPG	Kg/h	0,122	0,122
G31 Propane LPG	Kg/h	0,161	0,161
<b>Combustion gas values</b>			
Draught	mbar	0,015	0,015

**For the list of equivalent models refer to Annex A, an integral part of this booklet.**

The products without the label and its board for sets of heaters and solar devices, provided for in Regulation 812/2013, are not intended for use in such sets.



# OGÓLNE INSTRUKCJE BEZPIECZEŃSTWA

1. **Uważnie przeczytać instrukcje i ostrzeżenia zawarte w niniejszym dokumencie; zawierają one ważne informacje na temat bezpiecznej instalacji, użytkowania i konserwacji nowego urządzenia. Niniejsza instrukcja stanowi nieodłączną i istotną część produktu. Musi zawsze towarzyszyć urządzeniu, również wówczas, gdy jest ono przekazywane innemu właścicielowi lub użytkownikowi i/lub instalowane w innym systemie.**
2. Producent nie ponosi odpowiedzialności za jakiegokolwiek szkody lub obrażenia osób lub zwierząt spowodowane niewłaściwym, nieprawidłowym i nieuzasadnionym użytkowaniem lub w wyniku nieprzestrzegania instrukcji zamieszczonych w niniejszym dokumencie.
3. Niniejsze urządzenie jest przeznaczone do wytwarzania gorącej wody do użytku domowego. Powinno być podłączone do sieci dystrybucyjnej ciepłej wody użytkowej zgodnie z poziomami wydajności i mocy znamionowej urządzenia. Zabrania się użytkowania urządzenia do celów innych niż określone. Producent nie ponosi odpowiedzialności za jakiegokolwiek szkody spowodowane niewłaściwym, nieprawidłowym i nieuzasadnionym użytkowaniem lub z powodu nieprzestrzegania instrukcji zamieszczonych w niniejszym dokumencie.  
Instalator musi posiadać kwalifikacje i uprawnienia do instalacji urządzeń grzewczych zgodne z Rozporządzeniem Ministerialnym nr 37 z 22 stycznia 2008 z późniejszymi zmianami, aktualizującymi przepisy prawne dotyczące instalacji w budynkach. Niniejsze urządzenie spełnia postanowienia Rozporządzenia Ministerialnego nr 174/2004 z 6 kwietnia 2004 w zakresie do kontaktu z wodą do użytku domowego.
4. Instalacja, konserwacja i wszelkie inne działania muszą być przeprowadzane w pełnej zgodności z obowiązującymi przepisami prawnymi i wszelkimi instrukcjami dostarczonymi przez producenta, zgodnie z obowiązującym prawem (Rozporządzenie Prezydenta 74/2013 z późniejszymi zmianami).  
W razie wystąpienia usterek i/lub nieprawidłowego działania należy wyłączyć urządzenie i zawór gazu. Nie wykonywać samodzielnie żadnych napraw, ale skontaktować się z wykwalifikowanym specjalistą.  
Wszelkie naprawy muszą być wykonywane przez wykwalifikowanych techników przy użyciu oryginalnych części zamiennych. Nieprzestrzeganie powyższych zaleceń może zagrozić bezpieczeństwu urządzenia i spowodować utratę odpowiedzialności producenta.  
W razie jakichkolwiek prac konserwacyjnych lub innych działań na konstrukcjach znajdujących się w bezpośrednim sąsiedztwie przewodów lub urządzeń odprowadzających spaliny i odpowiednich akcesoriów, należy wyłączyć urządzenie i, po zakończeniu działań, zwrócić się do wykwalifikowanego personelu z prośbą o sprawdzenie sprawności odpowiednich kanałów lub urządzeń.
5. Należy przechowywać wszystkie materiały opakowaniowe (spinki, worki foliowe, pianka polistyrenowa, itd.) poza zasięgiem dzieci, ponieważ stanowią one potencjalne zagrożenie.
6. Urządzenie to nie jest przeznaczone do użycia przez dzieci poniżej 8 roku życia i osoby o ograniczonej zdolności fizycznej, czuciowej lub psychicznej lub braku doświadczenia i wiedzy, chyba że będą one nadzorowane lub zostaną poinstruowane na temat korzystania z tego urządzenia przez osobę odpowiedzialną za ich bezpieczeństwo.  
Dzieci nie mogą się bawić urządzeniem. Wszelkie czyszczenie i konserwacja wykonywane przez użytkownika nie mogą być wykonywane przez dzieci pozbawione opieki.

7. Na rurze wlotowej urządzenia należy zamontować zawór regulacyjny bezpieczeństwa. W krajach, które wdrożyły normę EN 1487 jednostka bezpieczeństwa musi mieć maksymalne ciśnienie 0,7 MPa i musi zawierać przynajmniej jeden zawór odcinający, zawór zwrotny, zawór bezpieczeństwa i urządzenie odcinające ciśnienie wody.
  8. Urządzenie (zawór lub jednostka bezpieczeństwa) nie może być naruszane i musi być regularnie obsługiwane w celu sprawdzenia, czy nie jest zatkane i w celu usunięcia wszelkich osadów.
  9. Wycieki z jednostki bezpieczeństwa podczas podgrzewania wody są normalną sytuacją. W związku z tym, odpływ musi być podłączony i zawsze pozostawiony otwarty do otoczenia, z rurą spustową ustawioną w sposób ciągły w dół, w miejscu, które nie jest narażone na oblodzenie.
  10. Jeśli urządzenie będzie narażone na bardzo niskie temperatury, należy je opróżnić i odłączyć od zasilania.
  11. Gorąca woda płynąca z kranów o temperaturze powyżej 50°C może natychmiast spowodować poważne oparzenia. Dzieci, osoby niepełnosprawne i osoby starsze ponoszą większe ryzyko. W związku z tym, zaleca się stosowanie termostatycznego zaworu mieszającego podłączonego do rury wylotowej (która jest oznaczona czerwonym kołnierzem).
  12. Nie pozostawiać w kontakcie z urządzeniem lub w jego pobliżu żadnych łatwopalnych przedmiotów.
  13. Nie stawiać pod urządzeniem i nie umieszczać pod nim żadnych przedmiotów, ponieważ mogą zostać uszkodzone przez wyciekającą wodę.
  14. Nie stosować do czyszczenia urządzenia środków owadobójczych lub agresywnych detergentów; mogą one uszkodzić plastikowe lub powlekanie powierzchnie.
  15. W razie wycucia zapachu spalenizny lub dymu pochodzącego z urządzenia, należy wyłączyć główny zawór gazu, otworzyć wszystkie okna i wezwać pomoc. Ryzyko zranienia z powodu pożaru, wdychania dymu lub zatrucia.
- 16. Aby zapewnić prawidłowe działanie urządzenia, należy je corocznie konserwować i poddawać testom spalania, zgodnie z miejscowymi przepisami. Czynności te powinny być powierzone wykwalifikowanemu technikowi, który musi spełniać wymagania opisane w instrukcji, zgodnie z przepisami prawa.**

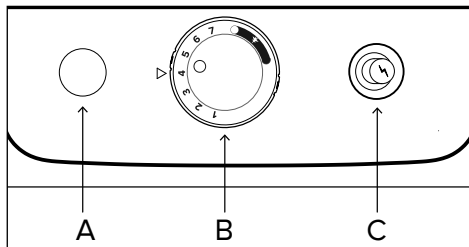
# INSTRUKCJE DLA UŻYTKOWNIKA



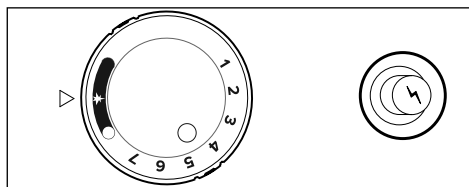
## OSTRZEŻENIE!

Czynności związane z instalacją, pierwszym zapłonem i konserwacją muszą być wykonane wyłącznie przez wykwalifikowany personel, zgodnie z dostarczonymi instrukcjami. Nieprawidłowa instalacja może prowadzić do zranienia osób, zwierząt lub uszkodzenia własności. Producent nie odpowiada za jakiegokolwiek powstałe z tego powodu szkody. Jeśli urządzenie jest zainstalowane w mieszkaniu, należy się upewnić, że zostały spełnione wszelkie wymagania dotyczące wlotu powietrza i wentylacji pomieszczenia (zgodnie z obowiązującymi przepisami).

## PROCEDURA ZAPŁONU



Przekręcić pokrętkę B z pozycji **O** (off) na **★** (pilot).



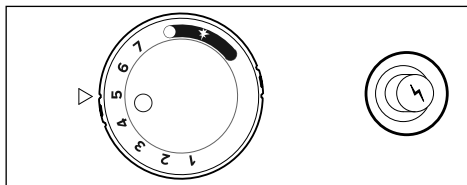
Nacisnąć do oporu przycisk B i przytrzymać; następnie nacisnąć zapalnik piezoelektryczny C.

Sprawdzić płomień przez otwór A. Po pojawieniu się płomienia, przytrzymać wciśnięty przycisk B przez kolejne 20 sekund.

Jeśli płomień pilotujący nie jest obecny, należy powtórzyć powyższą procedurę.

## USTAWIANIE TEMPERATURY WODY

W celu ustawienia temperatury możliwe jest użycie pokrętki B. Przekręcić pokrętkę z pozycji zapłonu **★** na cyfrę od 1 do 7.



Aby zwiększyć ilość dostępnej ciepłej wody, zaleca się ustawienie pokrętki w pozycji (5) i mieszanie gorącej wody z zimną aby osiągnąć wymaganą temperaturę.



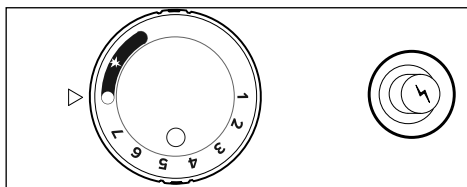
## OSTRZEŻENIE!

Gorąca woda o temperaturze powyżej 50°C może powodować natychmiastowe i poważne poparzenia skóry.

Temperatura w zbiorniku może wzrosnąć powyżej tej wartości szczególnie po dłuższych okresach bez poboru wody ze względu na bardzo wysoki stopień izolacji termicznej. Zawsze sprawdź temperaturę wody przed rozpoczęciem z korzystania z niej. Zaleca się stosowanie termostatycznych zaworów mieszających.

## WYŁĄCZANIE URZĄDZENIA

Aby wyłączyć urządzenie, należy przekręcić pokrętkę B na **O** (off).



Zaleca się wyłączenie produktu w okresach dłuższych przerw w korzystaniu z ciepłej

# INSTRUKCJE DLA UŻYTKOWNIKA

## wody

### ZALECENIA W CELU UŻYTKOWANIA

Upewnić się, że wszystkie kurki ciepłej wody są szczelne i nie przeciekają, ponieważ wycieki powodują użycie gazu i mogą zwiększyć temperaturę wody.

W razie długiego okresu przestoju, należy opróżnić podgrzewacz, jeśli znajduje się on w obszarze narażonym na ujemne temperatury.

Aby opróżnić ogrzewacz, należy:

- a) wyłączyć palnik i zamknąć zawór zasilania gazem;
- b) zamknąć górny zawór zasilania wodą;
- c) wyjąć rurę doprowadzającą zimną wodę i wyjąć zawór bezpieczeństwa;
- d) podłączyć odpowiedniej długości przewód, aby osiągnąć spust, do wlotu wody (niebieski pierścień) na ogrzewaczu;
- e) otworzyć zawór dostarczający gorącą wodę za ogrzewaczem.

#### **Ostrzeżenie!**

**Podczas opróżniania ogrzewacza, wydostająca się z niego woda może być bardzo gorąca.**

Czyścić za pomocą ściereczki zanurzonej w wodzie z mydłem. Nie stosować agresywnych detergentów, środków owadobójczych ani toksycznych produktów.

Jeśli urządzenie będzie używane w pełnej zgodności z obowiązującymi przepisami, będzie działało w bezpieczny dla środowiska i ekonomiczny sposób.

**UWAGA:** podczas czyszczenia, wewnątrz zbiornika wody nie mogą być obecne żadne podmuchy, które mogłyby uszkodzić wewnętrzną wykładzinę.

### ZALECENIA DOTYCZĄCE ZAPOBIEGANIA ROZPRZESTRZENIANIU SIĘ BAKTERII LEGIONELLA

Legionella to bakterie w kształcie małych pałeczek, które są naturalnym składnikiem wszystkich wód słodkich. Choroba legionistów jest poważnym zapaleniem płuc wywołanym przez wdychanie bakterii Legionella pneumophila lub innych gatunków bakterii Legionella.

Bakteria ta często występuje w systemach domowych, hotelach i innych systemach wodnych oraz w wodzie wykorzystywanej w klimatyzacji lub chłodzeniu powietrzem. W związku z tym, głównym działaniem chroniącym przed rozprzestrzenianiem się bakterii jest prewencja, polegająca na kontroli obecności bakterii w zbiornikach.

Norma europejska CEN/TR 16355 zawiera zalecenia dotyczące dobrych praktyk w zakresie zapobiegania rozprzestrzenianiu się bakterii Legionella w instalacjach wody pitnej, ale mają zastosowanie również miejscowe przepisy prawne.

Niniejszy zasobnikowy ogrzewacz wody jest sprzedawany z termostatem ustawionym na temperaturę 60°C. Oznacza to, że może on przeprowadzić "cykl dezynfekcji termicznej" w celu ograniczenia rozprzestrzeniania się Legionelli wewnątrz zbiornika.

Aby zapobiec stagnacji wody przez długi okres czasu, przynajmniej raz w tygodniu należy zużyć lub przemieszać wodę.

#### **OSTRZEŻENIE!**

**Woda nagrzana do temperatury powyżej 50°C może spowodować poważne oparzenia. Zawsze sprawdzić temperaturę wody przed jej użyciem.**

# PRZEPISY BEZPIECZEŃSTWA (DLA INSTALATORA)

Klucz do symboli:



Nieprzestrzeganie tego ostrzeżenia może spowodować ryzyko obrażeń ciała, w niektórych przypadkach nawet śmierć.



Nieprzestrzeganie tego ostrzeżenia może spowodować poważne uszkodzenie mienia, maszyn lub zwierząt. Producent nie ponosi odpowiedzialności za szkody wynikające z niewłaściwego użytkowania produktu lub jego nieprawidłowej instalacji, zgodnie z instrukcją.

**Zainstalować urządzenie na solidnej podstawie, nienarażonej na drgania.**



Hałas podczas pracy.

**Podczas wiercenia otworów w ścianie w celach instalacyjnych należy uważać, aby nie uszkodzić żadnych przewodów elektrycznych lub istniejących rur.**



Porażenie prądem w wyniku kontaktu z przewodami pod napięciem. Uszkodzenia istniejących instalacji.



Powódź spowodowana wyciekami wody z uszkodzonych rur.

**Upewnić się, że miejsce instalacji i systemy, do których zostanie podłączone urządzenie są zgodne z obowiązującymi przepisami.**



Porażenie prądem spowodowane kontaktem z przewodami, które nie zostały prawidłowo zainstalowane.



Uszkodzenie urządzenia spowodowane niewłaściwymi warunkami roboczymi.

**Stosować narzędzia ręczne i wyposażenie (upewnić się, że narzędzie nie jest zużyte, a uchwyt jest prawidłowo zamocowany); używać ich w**

**prawidłowy sposób i upewnić się, że nie spadną z wysokości.**

**Odłożyć na miejsce po zakończeniu użycia.**



Zranienie spowodowane latającymi odłamkami lub fragmentami, wdychaniem pyłu, uderzeniami, przecięciami, ranami kłutymi i otarciami.



Uszkodzenia urządzenia lub otaczających przedmiotów spowodowane przez odłamki, uderzenia i nacięcia.

**Upewnić się, że wszelkie przenośne drabiny są ustawione w sposób stabilny, są wystarczająco mocne, a stopnie są nienaruszone, nieśliskie oraz, że drabiny nie są przenoszone ze znajdującymi się na nich osobami i stale nadzorowane.**



Uszkodzenie ciała spowodowane upadkiem z wysokości (przypadkowe złożenie drabiny).

**Upewnić się, że wszelkie drabiny na kółkach są odpowiednio ustawione, stabilne, a ich stopnie są nienaruszone i nie są śliskie. Upewnić się, że drabiny są wyposażone w poręcze umieszczone po obu stronach i balustrady na podeście.**



Uszkodzenie ciała spowodowane upadkiem z wysokości.

**Podczas wszystkich prac na wysokościach (zazwyczaj powyżej dwóch metrów) należy się upewnić, że strefa robocza jest ograniczona przy użyciu balustrad lub do zapobiegania wypadkom są używane indywidualne uprząże. Przestrzeń, w której może wystąpić przypadkowy upadek, musi być wolna od niebezpiecznych przeszkód i pokryta półsztywną lub odkształcalną powierzchnią umożliwiającą amorfizację.**

tyzację upadku.



Uszkodzenia ciała spowodowane upadkiem z wysokości.

**Upewnić się, że w obszarze roboczym panują odpowiednie warunki higieniczne w zakresie oświetlenia, wentylacji i trwałości odpowiednich konstrukcji.**



Uszkodzenia ciała spowodowane uderzeniami, potknięciami, itp.

**Chronić urządzenie i wszystkie obszary w pobliżu miejsca pracy za pomocą odpowiedniego materiału.**



Uszkodzenia urządzenia lub otaczających przedmiotów spowodowane przez odłamki, uderzenia i nacięcia.

**Zachować ostrożność podczas obchodzenia się z urządzeniem.**



Uszkodzenia urządzenia lub otaczających przedmiotów spowodowane uderzeniami, nacięciami i zgnieceniami.

**Podczas wszystkich procedur roboczych należy stosować środki ochrony indywidualnej i odpowiedni sprzęt. Nie dotykać zainstalowanego produktu z bosymi stopami lub mokrym ciałem.**



Zranienie osobowe spowodowane w wyniku porażenia, latających odłamków, wdychania pyłu, uderzeń, ran, hałasu i otarć.

**Rozmieścić materiały i sprzęt w taki sposób, aby posługiwanie się nim było łatwe i bezpieczne i by uniknąć tworzenia stosów, które mogłyby upaść.**



Uszkodzenia urządzenia lub otaczających przedmiotów spowodowane uderzeniami, nacięciami i zgnieceniami.

**Wszelkie działania wewnątrz urządzenia muszą być wykonane z zachowaniem należytej ostrożności, aby uniknąć nagłego kontaktu z**

**ostrymi częściami.**



Uszkodzenia ciała spowodowane przez przecięcia, rany kute i otarcia.

**Skasować wszystkie funkcje bezpieczeństwa i sterowania, które wpływają na prace urządzenia i, przed uruchomieniem urządzenia, upewnić się, że są one sprawne.**



Uszkodzenie lub wyłączenie urządzenia spowodowane przez działania niekontrolowane.

**Przed rozpoczęciem działań należy opróżnić części, które mogą zawierać gorącą wodę, aktywując ewentualne spusty.**



Zranienia w wyniku poparzenia.

**Usunąć kamień z części zgodnie z instrukcjami zawartymi w "Karcie danych" używanego produktu, przewietrzyć pomieszczenie, stosować odzież ochronną, unikać mieszania różnych produktów i chronić urządzenie i otaczające je przedmioty.**



Uszkodzenia ciała spowodowane przez kwaśne substancje w kontakcie ze skórą lub oczami, wdychane lub połknięcie szkodliwych środków chemicznych.



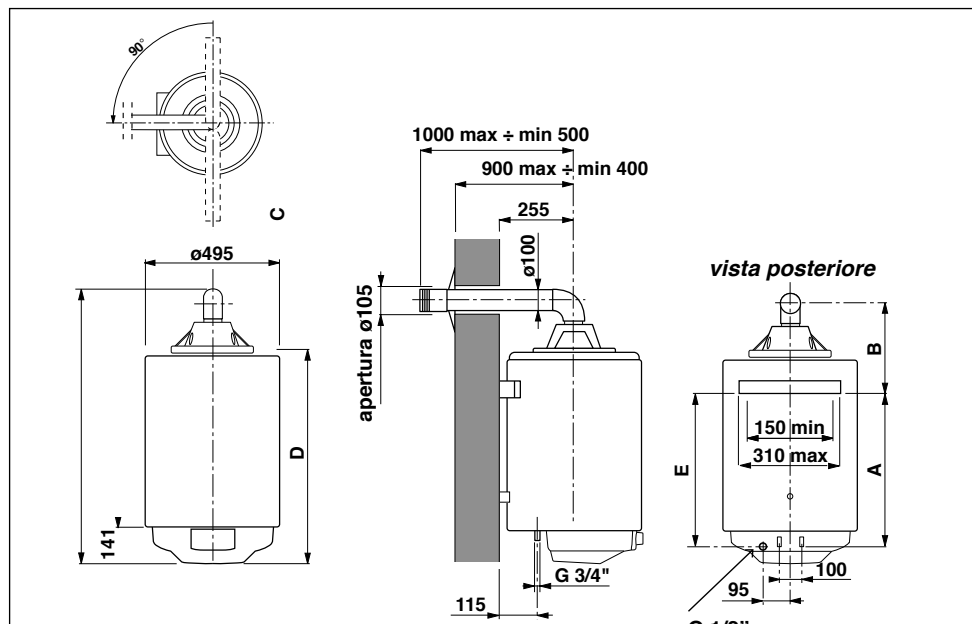
Uszkodzenie urządzenia lub otaczających przedmiotów w wyniku korozji spowodowanej kwaśnymi substancjami.

## CHARAKTERYSTYKA TECHNICZNA

### W skład ogrzewacza wchodzi następujące elementy:

- zbiornik zabezpieczony wewnątrz warstwą emalii ceramicznej z anodą o długiej żywotności w celu ochrony przed korozją;
- powłoka zewnętrzna z malowanej stali;
- izolacja za pomocą pianki poliuretanowej o dużej gęstości (bez CFC), która zmniejsza straty ciepła;
- zawór gazu z:  
regulowanym termostatem z liczbą pozycji,  
systemem bezpieczeństwa wykorzystującym termoparę, ogranicznikiem temperatury, który zatrzymuje dopływ gazu, jeśli działanie nie jest prawidłowe;
- rurowy, niskosumowy palnik ze stali nierdzewnej, dopasowujący się do użycia z wszystkimi rodzajami gazu;
- zapłon piezoelektryczny;
- urządzenia bezpieczeństwa do ochrony przed powrotem gazu.

### WYMIARY CAŁKOWITE



MODEL	Pojemność (litry)	A	B	C	D	E
80	75	495	365	945	702	510
100	100	640	375	1125	847	656

**KATEGORIA II**  
2ELwLs3PB/P  
Typ C11

do ogrzewaczy przeznaczonych do pracy z gazem ziemnym (metanem), które można przystosować do pracy z LPG.



### **OSTRZEŻENIE!**

**Zainstalować urządzenie na solidnej ścianie, nienarażonej na drgania.**

**Podczas wiercenia ściany należy uważać, aby nie uszkodzić istniejących przewodów elektrycznych lub rur.**

**Upewnić się, że miejsce instalacji i systemy, do których zostanie podłączone urządzenie są zgodne z obowiązującymi przepisami.**

### **USTAWIANIE**

Aby umożliwić łatwy dostęp w celu konserwacji, należy pozostawić wokół urządzenia odpowiednią ilość wolnej przestrzeni.

Ustawić urządzenie zgodnie z ustalonymi przepisami technicznymi przy użyciu poziomicy.

Urządzenie montuje się do ściany przy użyciu ciężkich haków (przystosowanych do przenoszenia masy urządzenia po pełnym naładowaniu wodą) zainstalowanych na ścianie. Odległości zostały wskazane w tabeli ogólnych wymiarów.

### **Miejsce instalacji**

Wybór miejsca instalacji musi być zgodny z obowiązującymi przepisami.

Urządzenie musi być idealnie wypoziomowane. Urządzenia nie wolno instalować w pobliżu źródła ciepła.

Nie instalować urządzenia w miejscu, w którym temperatura może spaść poniżej 0°C.

## **PODŁĄCZENIE WODY**

- Podłączyć ogrzewacz do systemu dystrybucji wody za pomocą rury 3/4". Wlot zimnej wody znajduje się po prawej stronie (niebieski pierścień), a wylot gorącej wody (czerwony pierścień) znajduje się po lewej stronie, patrząc od przodu ogrzewacza.
- Ogrzewacz musi być wyposażony w zawór bezpieczeństwa - zawór zwrotny (dostarczony z ogrzewaczem), podłączony do rury wlotowej (niebieski pierścień). Pod żadnym pozorem nie naruszać zaworu.
- Upewnić się, umożliwiając wyciek wody przez kilka chwil, że w linii nie są obecne obce substancje, jak wióry, piasek, domieszki do rur, itp.  
W razie dostania się do zaworu bezpieczeństwa - zaworu zwrotnego jakiegokolwiek materiału, może nastąpić nieprawidłowe działanie zaworu, a w niektórych przypadkach jego uszkodzenie.
- Upewnić się, że ciśnienie wody zasilającej jest niższe od 8 barów (0,8 MPa). Jeśli ciśnienie jest wyższe, należy zainstalować wysokiej jakości zawór redukcyjny ciśnienia. W tym przypadku zawór bezpieczeństwa będzie kapać podczas ogrzewania. Wspomniane kapanie musi się pojawić nawet wtedy, gdy przed zaworem znajduje się zawór zwrotny.

### **WAŻNE!**

**Jeśli urządzenie jest zainstalowane w strefie twardej wody (> 200 mg/l), należy zainstalować urządzenie zmiękczające, aby ograniczyć osadzane się kamienia w wymienniku ciepła.**

**Gwarancja nie obejmuje uszkodzeń spowodowanych przez osady.**



## ŁĄCZENIE PRZEWODÓW WYWIEWU SPALIN I WENTYLACJI

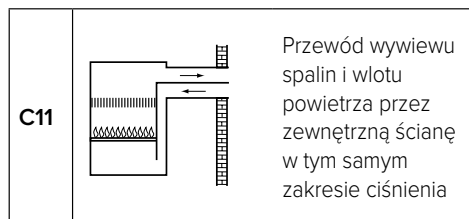
Przewody wywiewu spalin i wentylacyjne winny być instalowane zgodnie z ustalonymi przepisami oraz instrukcjami wytwórcy.

Urządzenie powinno działać w trybie C, przy powietrzu dostarczającym z zewnątrz.

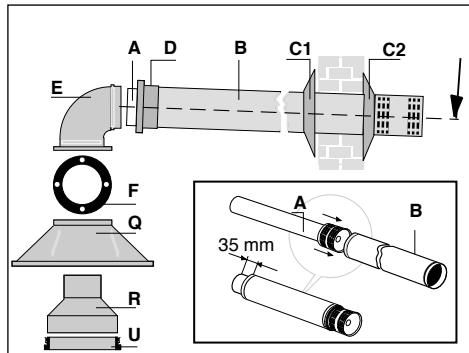
Przy instalowaniu systemu wywiewu należy zachować ostrożność przy obchodzeniu się z uszczelkami, aby uniemożliwić wycieki gazów spalinowych do obiegu powietrza.

Orurowanie zainstalowane poziomo musi mieć zapewnione odchylenie w dół równe 3% w celu zapobiegania gromadzenia się kondensatu. W przypadku wykonywania współosiowych systemów zasysania/wywiewu konieczne jest stosowanie oryginalnych elementów.

Przewody wywiewu spalin nie mogą stykać się z materiałami palnymi ani być umieszczone w ich pobliżu, ani też nie mogą przechodzić przez konstrukcje budowlane czy ściany wykonane z materiałów palnych. Zestawy przyłączeniowe przewodów ssawnych/wywiewnych dostarczane są niezależnie od samego urządzenia, zgodnie z innymi rozwiązaniami związanymi z montażem. Należy starannie zapoznać się z instrukcjami dołączonymi do zestawów. Rodzaj przewodów nawiewu powietrza / wywiewu spalin. Powietrze spalania pozyskiwane z zewnątrz



## INSTALACJA Z WSPÓŁOSIOWYMI PRZEWODAMI SPALINOWYMI (TYP C11)



- A. Aluminiowa rura do spalin  $\phi 60$  wyposażona w wywiewnik L = 1000 mm (odpowietrzenie)
- B. Aluminiowa rura do spalin  $\phi 100$  L = 860 mm (nawiew powietrza)
- C1-C2. Kołnierz gumowy (2 szt.)
- D. Tuleja gumowa do podłączania rury i kolanka
- E. Kolanko aluminiowe 90°
- F. Uszczelka
- Q. Górny odciąg powietrza
- R. Złączka rury spalinowej 90/60
- S. Uszczelka pierścienia uszczelniającego typu O (2 szt.)
- T. Przepona
- U. Uszczelka wywiewu

Wywiew jest na ogół umiejscowiony w tylnej części, lecz może również znajdować się z boku, z kątem 90°.

Urządzenie powinno zostać zainstalowane w następujący sposób:

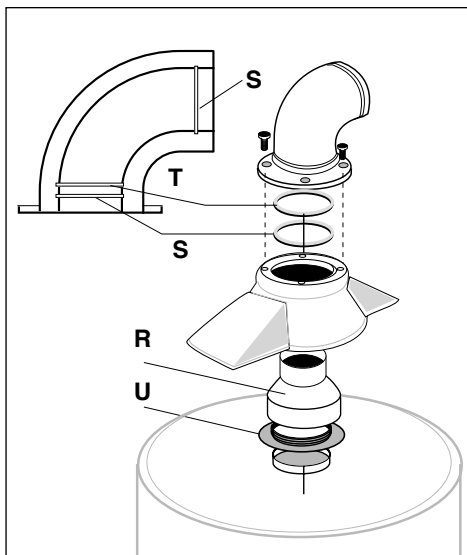
- Osadzić uszczelkę U w przewodzie wywiewu, następnie wprowadzić złączkę R (złączka utrzymywana jest w odpowiednim położeniu dzięki ściskaniu).
- Zainstalować odciąg powietrza Q przy pomocy załączonych śrub.
- Zamocować uszczelkę samoprzylepną F do górnej części odciagu Q.
- Wykonać otwór o  $\phi 105$  mm w ścianie w taki sposób, aby przewody miały nieznaczne pochYLENIE do dołu.

- Jeśli zajdzie konieczność skrócenia przewodów powietrznych i spalinowych, należy je obciąć do pożądanej długości pozostawiając na przewodzie  $\varnothing 60$  dodatkowe 35 mm na łączenie.
- Umieścić rurę wywiewu A w rurze B, aż napotka na opór na końcu.
- Włożyć dwie uszczelki S i membranę T do łuku E zgodnie z poniższą tabelą:

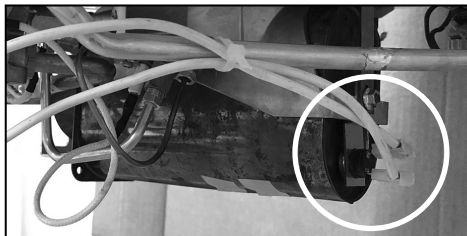
L = Długość rury wydechowej [mm]		
min 500 < L < 750		
750 < L < 1000		
T	TAK	NIE

- Nałożyć kołnierz gumowy C1 na rurę  $\varnothing 100$ .
- Umieścić tuleję gumową D w rurze B.
- Wprowadzić rurę współośiową ze złączką do otworu w ścianie.
- Umieścić zewnętrzny kołnierz C2 na rurze o  $\varnothing 100$ .
- Połączyć końce rur kolankiem E, aby rura spalinowa A weszła do rury spalinowej kolanka E a rura wentylacyjna B miała odstęp 5 mm.
- Zamocować gumową tuleję D, aby zakryła przestrzeń pomiędzy kolankiem E a rurą  $\varnothing 100$  mm.
- Zamocować kolanko E na odciąg powietrza Q używając 4 załączone śruby.
- Zastosować zaprawę wapienną lub zastosować inny podobny materiał do uszczelnienia przestrzeni pomiędzy rurą B a ścianą.

**W przypadku tego rodzaju instalacji rury nie mogą być dłuższe niż 1 m. Nie dopuszcza się stosowania jakichkolwiek elementów przedłużających.**



**Clicson**  
(ochrona przed przegrzaniem  $120^{\circ}\text{C} \pm 3$ )



## PODŁĄCZENIE GAZU



### OSTRZEŻENIE!

**Czynności związane z instalacją, pierwszym zapłonem i konserwacją muszą być wykonane wyłącznie przez wykwalifikowany personel, zgodnie z dostarczonymi instrukcjami.**

- Należy się upewnić, że główny dopływ gazu wykorzystuje taki sam rodzaj gazu, jak wskazano na tabliczce znamionowej
- Otworzyć wszystkie drzwi i okna
- Upewnić się, że w pomieszczeniu nie ma iskier ani otwartych płomieni
- Ogrzewacze wody są normalnie przystosowane do pracy przy użyciu metanu G20 (PCI) 8100 kcal/m<sup>3</sup>. Nie są wymagane regulacje, jeśli jest używany ten gaz.  
Regulacje dla innych rodzajów gazu muszą być przeprowadzone wyłącznie przez wykwalifikowany personel.
- Użyć rury o wymiarze 1/2" do połączenia dopływu gazu do zaworu.
- Zaleca się umieszczenie przed urządzeniem zaworu odcinającego na linii zasilania gazem.
- Wykonać podłączenie do zasilania gazem za pomocą sztywnych rur (stalowych, miedzianych, itp.), a nie rur z tworzywa termoplastycznego lub gumy.
- Po zdjęciu pokrywy i wykonaniu połączenia, za pomocą wody z mydłem, należy sprawdzić obecność wycieków w układzie gazowym.  
Do testowania nie używać płomienia.

Ogrzewacz wody jest wyposażony w anodę magnezową w zbiorniku. Żywotność anody jest proporcjonalna do średniej temperatury, składu chemicznego i ilości dostarczanej wody.

Zaleca się sprawdzenie stanu anody co 18-24 miesiące, sprawdzając gładkość jej powierzchni. Jeśli średnica jest mniejsza niż 10-12 mm, zaleca się wymianę anody na nową, oryginalną część.

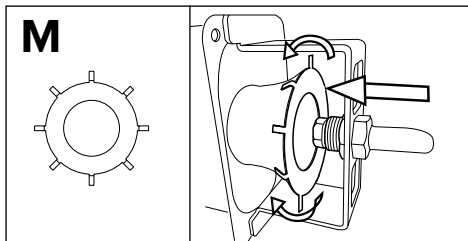
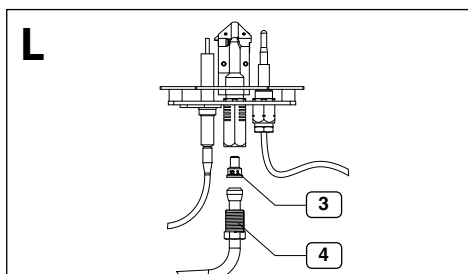
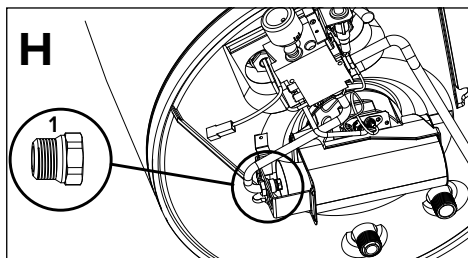
Anoda jest umieszczona w dolnej części ogrzewacza, poniżej pokrywy ochronnej.

## INFORMACJE ZASTRZEŻONE DLA INSTALATORÓW

Instrukcja zamiany gazu z oryginalnych ustawień: z gazu ziemnego (G20) na gaz ciekły LPG (G30-G31) za pomocą zaworu gazowego Model EUROSIT

Aby dostosować ogrzewacz wody do rodzaju gazu różniącego się od oryginalnego, należy:

- Wymienić dyszę 1 głównego palnika, **rys. H**.  
Odkręć i wyjąć dyszę 1 i zastąpić ją nową.
- Rozłączyć 4, **rys. L** i pociągnąć rurę na zewnątrz. Wymienić dyszę pilotującą 3 na prawidłową.
- włóż membranę między dyszę i zwężka Venturiego, jak pokazano na **rys. M**
- Przymocować i zablokować złączkę 4.
- Wymiary otworów dysz (1/100 mm) zostały wskazane w następujących tabelach



	GŁÓWNY PALNIK	PALNIK PILOTUJĄCY
Metan (G20)	160	22x2
Gaz płynny (G30 G31)	100	22x1

### REGULACJA PŁOMIENIA PILOTUJĄCEGO (Zawór EUROSIT)

Wyregulować, działając na śrubę 13 na **rys. S**.

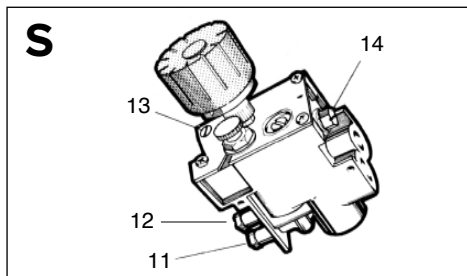
Płomień pilotujący jest wyregulowany prawidłowo, gdy jego długość wynosi w przybliżeniu 2-3 cm i dotyka on górnej części termopary.

## KONTROLA CIŚNIENIA PO STRONIE ZASILANIA

Ciśnienie wlotowe gazu zmierzone na złączu ciśnieniowym 11, **rys. S**, przy użyciu manometru w mbarach musi wynosić:

### ! UWAGA!

w przypadku użycia gazu G30, G31 wkręcić przeciwnie na co najmniej 12 zaokrągłeń śrubę 14 (rys. S).



		CIŚNIENIE WLOTOWE GAZU	CIŚNIENIE GŁÓWNEGO PALNIKA
Metan (G20)		20 mbarów	13 mbarów
LPG	Butan (G30)	29 mbarów	28,3 mbarów
	Propan (G31)	37 mbarów	36,3 mbarów

## ZAPŁON

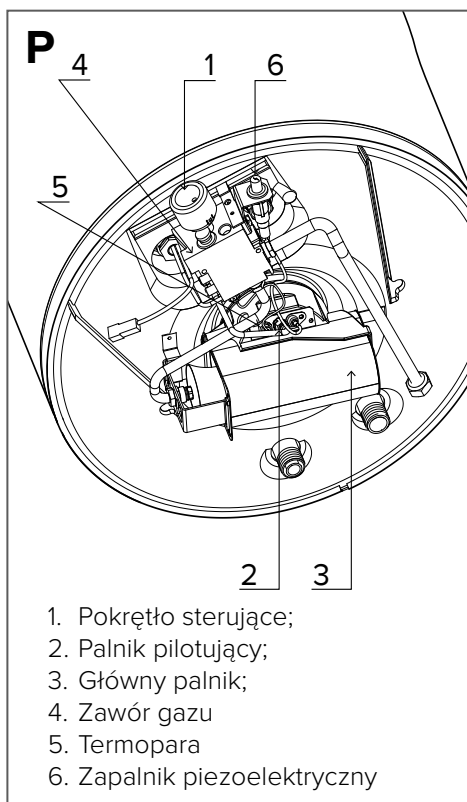
### ! OSTRZEŻENIE!

Po zakończeniu regulacji mogło nastąpić przesunięcie palnika w stosunku do pierwotnej pozycji. W związku z tym, należy sprawdzić, czy jest on dokładnie wycentrowany i wyrównany z rurą gazu i z komorą spalania.

Przekręcić pokrętło 1 z pozycji O (off) na ★ (pilot), **rys. P**.

Nacisnąć do oporu przycisk 1 i przytrzymać; następnie nacisnąć zapalnik piezoelektryczny 2. Sprawdzić, czy płomień palnika jest zaświecony. Gdy płomień jest zaświecony, przytrzymać wciśnięty przycisk B przez kolejne 20 sekund lub dłużej.

Jeśli płomień pilotujący nie jest obecny, należy powtórzyć powyższą procedurę. Dłuższy czas jest wymagany w celu umożliwienia wyjścia powietrza z rury gazu.



## KONSERWACJA

Konserwacja jest czynnością niezbędną dla bezpiecznego i wydajnego działania urządzenia i zapewnienia jego długiej eksploatacji. Musi być przeprowadzona zgodnie z instrukcjami określonymi w bieżących przepisach.

### OSTRZEŻENIE!

**Przed wykonaniem jakichkolwiek prac konserwacyjnych należy zamknąć kurek dopływu gazu i kurek obwodu wody do użytku domowego.**

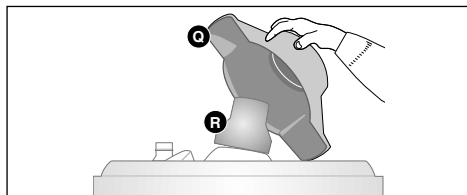
Zaleca się wykonanie, co najmniej raz w roku, następujących kontroli ogrzewacza.

1. Sprawdzić wycieki wody.
2. Sprawdzić ewentualne wycieki gazu i w razie konieczności wymienić uszczelki.
3. Sprawdzić ogólny stan ogrzewacza i spalania.
4. Sprawdzić komorę spalania i w razie konieczności wyczyścić palnik.
5. Po sprawdzeniu 3 i 4, w razie konieczności wyjąć i wyczyścić dyszę.
6. Wyregulować dla prawidłowego przepływu gazu.
7. Sprawdzić działanie urządzeń bezpieczeństwa wody (limity temperatury i ciśnienia).
8. Sprawdzić prawidłowe działanie systemów bezpieczeństwa gazu (awarie gazu lub płomienia, zawór gazu, itp.).
9. Sprawdzić, czy w pomieszczeniu jest obecna odpowiednia wentylacja.
10. Sprawdzić, czy produkty spalania (spaliny) są prawidłowo odprowadzane.

**ZAUWAŻ:** podczas czyszczenia wnętrza zbiornika wody nie mogą być obecne żadne podmuchy, które mogłyby uszkodzić wewnętrzną wykładzinę.

### Czyszczenie przewodu spalinowego

Następnie należy zdemontować osłone górna komory spalania Q i redukcję przewodu spalinowego R tak jak pokazano na ryc.



wyjac deflektor wyczyścić druciana szczotką przewód spalinowy, zwracając uwagę aby nie uszkodzić powierzchni.

### Informacje dla użytkownika

Poinformować użytkownika, w jaki sposób obsługiwać urządzenie.

W szczególności należy dostarczyć użytkownikowi instrukcje obsługi i poinformować go, że muszą być przechowywane razem z urządzeniem.

Ponadto, upewnić się, że użytkownik jest świadomy następujących kwestii:

- Jak ustawiać temperaturę i urządzeń w celu prawidłowego i jak najbardziej oszczędnego korzystania z urządzenia.
- Układ musi być poddawany konserwacji regularnie i zgodnie z przepisami.
- Ustawienia odnoszące się do dopływu gazu i powietrza spalania nie mogą być naruszane.

## TABLICZKA

 0000000 00,14312,0000000		
Rok produkcji		Data produkcji (dzień roku)

numer seryjny

## DANE TECHNICZNE

Identyfikator modelu dostawcy	S/SGA BF X ...	
Model	80	100
Certyfikat CE	51CT4924	
Wydajność znamionowa	l	100
Rzeczywista wydajność	l	99,3
Ciśnienie nominalne	bar	8
Znamionowa wydajność grzewcza	kW	3,7
Znamionowa wydajność grzewcza (G30-G31)		3,5
Moc użytkowa	kW	3,3
Moc użytkowa (G30_G31)		3,1
Czas ogrzewania dla DHW t 45°C	min.	64
<b>Erp DHW</b>		
Deklarowany profil obciążenia	M	M
Wydajność energetyczna ogrzewania wody $\eta_{wh}$	%	65
Klasa energetyczna ogrzewania wody	A	A
Dzienne zużycie paliwa $Q_{paliwa}$	kWh	9,916
Poziom mocy akustycznej (LWA) $L_{WA}$	dB	55
Emisja tlenków azotu	[mg/kWh]	54
Roczne zużycie paliwa AFC	GJ/rok	7,1
Mieszana woda o temp. 40°C V40	l	120
Ustawiona temperatura "out of the box"	°C	60
Ustawienia temperatury termostatu		5
<b>Ciśnienie wlotowe gazu</b>		
G20 Metan	mbar	20,0
G30 Butan LPG	mbar	29,0
G31 Propan GPL	mbar	37,0
<b>zużycie gazu</b>		
G20 Metan	m <sup>3</sup> /h	0,416
G30 Butan LPG	Kg/h	0,122
G31 Propan GPL	Kg/h	0,161
<b>Wartości gazów spalania</b>		
Ciąg	mbar	0,015

Lista równoważnych modeli znajduje się w Załączniku A, który jest nieodłączną częścią niniejszej instrukcji.

Produkty bez etykiety i odpowiedniej płyty do zestawów ogrzewaczy i instalacji słonecznych, przewidziane w rozporządzeniu 812/2013 nie są przeznaczone do stosowania w takich zestawach.

## ÁLTALÁNOS BIZTONSÁGI ELŐÍRÁSOK

1. **Olvassa el figyelmesen a kézikönyv utasításait és figyelmeztetéseit, mivel ezek fontos információkat tartalmaznak a felszerelés, használat és karbantartás biztonságosságáról. E kézikönyv a termék elengedhetetlenül fontos, szerves része. Gondosan őrizze meg, és a berendezés átadása és/vagy áttelepítése esetén is biztosítsa, hogy e dokumentum a berendezéssel együtt maradjon!**

2. A gyártó a helytelen, ésszerűtlen és a célnak nem megfelelő használatból, illetve a kézikönyvben szereplő utasítások be nem tartásából eredő, személyeken, állatokon vagy tárgyakon esett károkért felelősséget nem vállal.

3. A készülék háztartási felhasználásra szánt víz előállítására szolgál. A berendezést teljesítményének és jellegének megfelelő használati meleg víz hálózathoz kell csatlakoztatni. A készüléknek a leírásban rögzítettől eltérő célra történő használata tilos! A gyártó a helytelen, ésszerűtlen és a célnak nem megfelelő használatból, illetve a kézikönyvben szereplő utasítások be nem tartásából eredő károkért felelősséget nem vállal.

A berendezések épületen belüli üzembe helyezésére vonatkozó rendelkezések reformjáról szóló 2008. január 22-i 37. sz. olaszországi miniszteri rendelet, és annak módosításai és kiegészítései értelmében az üzembe helyező szakember számára lehetővé kell tenni a fűtő készülékek beépítését.

Ez a készülék, a használati vízzel érintkező anyagok tekintetében, megfelel a 2004. április 6-i 174/2004 sz. olaszországi miniszteri rendelet által előírt követelményeknek.

4. A beépítést, a karbantartást, valamint bármilyen más beavatkozást a vonatkozó szabványok betartásával kell elvégezni a gyártó útmutatásainak megfelelően, a témáról szóló jogszabályok előírásai szerint (74/2013 sz. köztársasági elnöki ren-

delet és annak későbbi módosításai és kiegészítései). A készülék elromlása és/vagy hibás működése esetén kapcsolja ki a készüléket, zárja el a gázcsapot, és semmiképpen se próbálja megjavítani a készüléket, hanem bízza azt képzett szakemberrel!

Az esetleges javításokhoz kizárólag eredeti cserealkatrészeket használjon, a szerelést pedig minden esetben bízza képzett szakemberrel! A fentiek mellőzése veszélyeztetheti a készülék biztonságát, és a gyártó felelősségvállalásának elvesztését vonja maga után.

Amennyiben a csövekhez, füstelvezető berendezésekhez, vagy azok alkatrészeihez közeli szerkezeteken végez karbantartó, vagy egyéb munkálatokat, kapcsolja ki a készüléket, és a munkálatok befejeztével ellenőriztesse a csöveket és a berendezéseket képzett szakemberrel!

5. Ne engedje, hogy a gyermekek hozzáférjenek a csomagolóanyagokhoz (tűzőkapszok, műanyag zacskók, polisztirol habok, stb.), mivel ezek potenciális veszélyforrások!

6. Ezt a berendezést nem használhatják 8 évesnél fiatalabb gyerekek és csökkent fizikai, értelmi vagy mentális képességekkel rendelkező személyek vagy olyan személyek, akik nem rendelkeznek megfelelő ismeretekkel illetve gyakorlattal, amennyiben nincsenek felügyelet alatt vagy nem tájékoztatták őket a berendezés biztonságos használatáról és a berendezés kezeléséből fakadó veszélyekről.

Ne engedje, hogy gyermekek játsszanak a berendezéssel. A felhasználó által végzendő tisztítást és karbantartást felügyelet nélküli gyerekek nem végezhetik el.

7. A készülék vízbevezető csövére nemzeti szabályozásoknak megfelelő biztonsági szelepet kell csavarni. Az EN 1487 európai szabványt elfogadó országokban a készülék biztonsági alkatrész csoportjának a



- maximális nyomása 0,7 MPa lehet, és van legalább egy: elzáró szelepe, visszacsapó szelepe, biztonsági szelepe, és víznyomás lezáró eszköze.
8. A túlnyomás ellen védő készüléken (szelep vagy biztonsági alkatrész csoport) ne hajtson végre önkényes átalakításokat, működtesse rendszeresen, hogy kiderüljön, nincs-e eldugulva, és hogy eltávozzon az esetleges vízkő-lerakódás.
  9. A felfűtési fázis ideje alatt a túlnyomás ellen védő készülék ereszthet. Ez normális. Ezért a kimenetet, amelynek mindig szabad térbe kell nyílnia, olyan elvezető csőbe kell csatlakoztatni, amely egy fagyásmentes terület felé lejt.
  10. A készülékből mindenképpen eressze le a vizet, és csatlakoztassa le az elektromos hálózatról, ha azt egy fagyveszélynek kitett helyiségben használaton kívül helyezi.
  11. A meleg víz, amelynek hőmérséklete a felhasználó csapnál meghaladja az 50 °C-t, azonnali súlyos égési sérüléseket okozhat. A gyermekek, a rokkantak és az idősek az égési sérülés veszélyének fokozottan ki vannak téve. Javasoljuk, hogy csatlakoztasson egy termosztatikus keverőszelepet a készülék vízkivezető csövéhez, amelyet piros gallér jelöl.
  12. A berendezéssel érintkezve vagy a berendezés közelében gyúlékony tárgyat tárolni tilos!
  13. Ne tartózkodjon a készülék alatt, és ne helyezzen alá olyan tárgyakat, amelyekben egy esetleges vízszivárgás kárt okozhat.
  14. A készülék tisztításához ne használjon erős rovarirtó-, oldó- és tisztítószeret, mert a műanyag és zománcozott alkatrészek károsodhatnak.
  15. Égett szag és a készülék belsejéből áramló füst esetén kapcsolja ki a készüléket, zárja el a fő gázcsapot, nyissa ki az ablakokat, és értesítse a szerviz szolgálatot! Személyi égési sérülés, füst belégzés és mérgezés veszélye!

**16. A készülék hatékonysága és helyes működése érdekében végeztesen éves karbantartást és a hatályos helyi törvények által előírt időközönként füstgáz-elemzést. A műszaki személyzetnek képzettnnek kell lennie, és ahogy a törvény előírja, gondoskodnia kell a kézikönyv elkészítéséről.**

# KEZELÉSI UTASÍTÁSOK A FELHASZNÁLÓ SZÁMÁRA

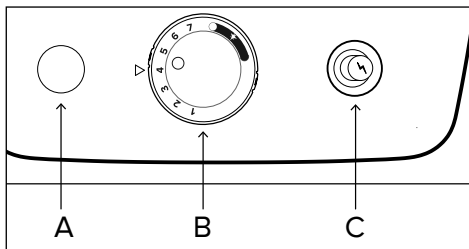


## FIGYELEM!

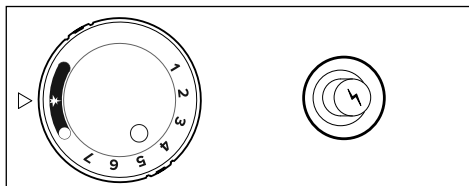
Az előírásoknak megfelelően történő beszerelést, első beüzemelést, karbantartás során történő beszabályozást kizárólag képzett szakember végezheti el.

A készülék helytelen beépítése károkat eredményezhet személyekben, állatokban vagy tárgyokban, melyekért a gyártó felelősséget nem vállal. Amennyiben a készüléket lakásban szereli be, ellenőrizze, hogy a helyiség levegőellátására és szellőzésére vonatkozó előírások teljesülnek-e (a hatályos törvényeknek megfelelően).

## BEKAPCSOLÁSI MŰVELETEK



Csavarja a B gombot (kikapcsolt) állásból (őrláng) állásba.



Nyomja be teljesen a B gombot, tartsa nyomva, és közben nyomja be a C piezo elektromos gyújtót.

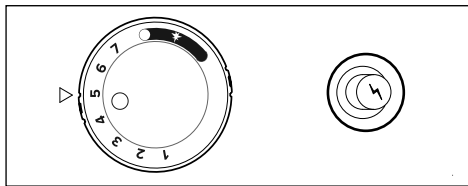
Ellenőrizze az A nyíláson át, hogy meggyulladt-e az égő lángja. Ha ellenőrizte a lángot, tartsa nyomva a B gombot körülbelül 20 másodpercig.

Ha az őrláng kialszik, ismételje meg az előbbi műveletet.

## A VÍZ HŐMÉRSÉKLETÉNEK BEÁLLÍTÁSA

A B gombbal lehet szabályozni a víz hőmérsékletét.

Csavarja a gombot a állásból 1-től 7-ig.



Magasabb melegvíz komfort elérése érdekében tanácsos a gombot 5-ös állásban hagyni és hidegvíz hozzákeverésével előállítani a kívánt melegvíz hőmérsékletet.



## FIGYELEM!

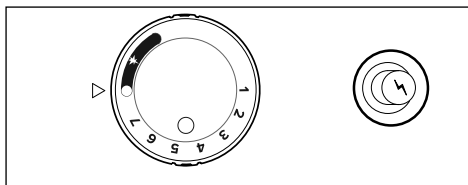
Az 50°C feletti víz hőfok égési sérüléseket okozhat.

A vastag tartály szigetelés miatt a víz hőfoka átlépheti ezt a határértéket, különösen akkor ha hosszabb ideig nem használták.

Mindig ellenőrizze a víz hőmérsékletét használat előtt! Ajánlott termosztatikus keverőszelep alkalmazása.

## KIKAPCSOLÁSI MŰVELETEK

A készülék kikapcsolásához csavarja a B gombot (kikapcsolt) állásba.



Hosszabb szünetek esetén javasoljuk, hogy kapcsolja ki a terméket.

# KEZELÉSI UTASÍTÁSOK A FELHASZNÁLÓ SZÁMÁRA

## HASZNÁLATI TANÁCSOK

Figyeljen arra, hogy a készülék melegvív-csapjainak tömítése tökéletes legyen, mert minden csepp elszivárgó víz is gázfogyasztással és a víz hőmérsékletének lehetséges emelkedésével jár.

A készülékből mindenképpen eressze le a vizet, ha azt egy fagyveszélynek kitett helyiségben használaton kívül helyezi.

A vízmelegítő leeresztése:

- a) zárja el az égőt és a gázcsapot;
- b) zárja el a készülék hidegvíz-csapját;
- c) szerelje le a hidegvíz-csővet és a biztonsági szelepet;
- d) kössön a készülék víz bemenő csövéhez (kék gyűrű) egy rugalmas, a lefolyóig elérő csövet;
- e) nyissa ki a melegvív-csapot.

### Figyelem!

**A leeresztés során a készülékből kifolyó víz forró lehet.**

A külső részek tisztításához kapcsolja ki a készüléket. A tisztításhoz használjon szappanos vízben áztatott rongyot!

A készülék tisztításához ne használjon erős tisztítószereket, rovarölőket, illetve toxikus anyagokat! Az érvényben lévő előírások tiszteletben tartása biztonságos, környezetbarát és energiatakarékos működést biztosít.

**MEGJEGYZÉS:** A művelet során vigyázzon a vízmelegítő belsejére, a belső védőburkolatnak nem szabad károsodnia.

## JAVASLATOK A LEGIONELLA ELSZAPORODÁSÁNAK MEGELŐZÉSÉRE

A Legionella egy pálcika alakú, minden forrásvízben természetesen előforduló baktérium.

A „legionárius betegség” a tüdőgyulladás egy fajtája, melyet a baktériumot tartalmazó víz gőzének a belégzése okoz. Ennek megfelelően el kell kerülni, hogy a készülékben lévő víz hosszú ideig pangjon, ezért a készüléket legalább heti rendszerességgel kellene használni vagy leereszteni.

A CEN/TR 16355 európai szabvány útmutatásokat ad arra vonatkozóan, hogy hogyan előzzük meg a Legionella elszaporodását ivóvízben. Amennyiben helyi szabványok további előírásokat tartalmaznak a Legionellával kapcsolatban, azokat is alkalmazni kell.

Ez a tárolós vízmelegítő egy termosztáttal kerül értékesítésre, melynek üzemi hőmérséklete 60°C-nál magasabb, és így lehetővé teszi egy megfelelő termikus fertőtlenítési ciklus elvégzését a Legionella baktérium tartályban való szaporodásának korlátozása érdekében.


A víz hosszú ideig való pangásának elkerülése érdekében a vizet használni kell hente legalább egyszer, vagy bőségesen le kell ereszteni.


### FIGYELEM!

**50°C feletti hőmérsékletű víz súlyos égési sérüléseket okoz. Minden használat előtt ellenőrizze a víz hőmérsékletét!**

# BIZTONSÁGI ELŐÍRÁSOK AZ ÜZEMBE HELYEZŐ SZÁMÁRA


Jelmagyarázat:

 A figyelmeztetések figyelmen kívül hagyása személyi sérülést eredményezhet, amely akár halálos kimenetelű is lehet.

 A figyelmeztetések figyelmen kívül hagyása komoly károkat eredményezhet a tárgyakban, növényekben és átlatokban.

A gyártó a helytelen és a célnak nem megfelelő használatból, illetve a kézikönyvben szereplő utasítások be nem tartásából eredő károkért felelősséget nem vállal.


**A készüléket szerelje erős, rezgésmentes falra!**

 Zajkibocsátás működés közben.


**A falfelület fúrása közben ügyeljen arra, hogy ne tegyen kárt a falban lévő elektromos vezetékekben és csövekben!**


 Feszültség alatt lévő vezetékek érintésekor áramütés veszélye áll fenn.

A fűtési rendszer megrongálódhat.

 A megrongált vízvezetékekből kifolyó víz eláraszthatja a helyiséget.


**Bizonyosodjon meg róla, hogy a készülék felszerelésére kijelölt hely és azok a berendezések, amelyekhez csatlakoztatni kell, megfelelnek az előírásoknak!**


 Helytelenül beszerelt feszültség alatt lévő vezetékek érintésekor áramütés veszélye áll fenn.

 A nem megfelelő körülmények között működtetett készülék károsodhat.


**Megfelelő szerszámokat és kézi eszközöket használjon (különösen ügyelve arra, hogy sértetlen állapotban legyenek, illetve, hogy**

**markolatuk ép legyen és jól legyen rögzítve)! A szerszámokat és kézi eszközöket használja rendeltetésüknek megfelelően, és ügyeljen arra, hogy ne eshessenek le a magasból! Használat után tegye őket a helyükre!**


 Lepattant szilánkok és töredékek által elszennvedett személyi sérülések, por belégzése, ütések elszennvedése, vágott- és szúrt sebek és horzsolások szerzése.

 A készüléket, valamint a környezetében lévő tárgyakat a szétrepülő szilánkok károsíthatják, megüthetik, megkarcolhatják.

**Bizonyosodjon meg arról, hogy a hordozható létra stabilan áll, megfelelő a teherbírása, a létra fokok nem csúsznak és teljesen ép az állapotuk! Ne helyezze át a létrát úgy, hogy valaki áll rajta, és csak felügyelet mellett használja!**

 Ellenkező esetben leeshet a magasból, illetve kétoldalas létra esetén a létra összecukódhat, ami személyi sérüléseket eredményezhet.

**Bizonyosodjon meg arról, hogy a féloldalas létra stabilan áll, megfelelő a teherbírása, a létra fokok nem csúsznak és teljesen ép az állapotuk, a létrafokok mentén van kapaszkodó, a legfelső fokon pedig védőkorlát!**

 Ellenkező esetben leeshet a magasból, ami személyi sérüléseket eredményezhet.

**Magasban végzett tevékenységek esetén (általában 2 méter feletti magasságban) bizonyosodjon meg arról, hogy a munkavégzés helye az esetleges leesések megelőzése érdekében védőkorlattal, vagy**

biztosító kötelekkel el van látva, az esés útjában nincs semmilyen veszélyes akadály, és az esetleges becsapódás helyén az ütközés tompítására félig merev vagy deformálható anyag van lehelyezve.



Ellenkező esetben leeshet a magasból, ami személyi sérüléseket eredményezhet.

**Ügyeljen arra, hogy a munkavégzés egészségügyi körülményei megfelelőek legyenek, mind a megvilágítás, a szellőzés és a szilárdság szempontjából is!**



Személyi sérülések ütközésből, elbotlásból, stb.

**Megfelelő anyaggal védje a készüléket és a környezetét!**



A készüléket, valamint a környezetében lévő tárgyakat a szétrepülő szilánkok károsíthatják, megüthetik, megkarcolhatják.

**A készülék mozgatását a megfelelő védőfelszereléssel és kellő óvatossággal végezze!**



A készülék, valamint a környezetében lévő tárgyak megütődhetnek, megkarcolódhatnak, összenyomódhatnak.

**A beavatkozások során viseljen megfelelő védőruhát és használjon megfelelő védőfelszerelést! A telepített berendezéshez mezítláb és/vagy nedves testrészrel hozzáérni tilos!**



Áramütés, lepattant szilánkok és töredékek által elszenvedett személyi sérülések, por belégzése, ütések elszenvedése, vágott- és szúrt sebek és horzsolások szerzése, zaj, rezgés.

**Az anyagokat és felszereléseket úgy rendezze el, hogy mozgatásuk biztonságosan végrehajtható legyen! Kerülje a halmokba rendezést, melyek eldőlhethetnek, illetve leomolhatnak!**



A készülék, valamint a környezetében lévő tárgyak megütődhetnek, megkarcolódhatnak, összenyomódhatnak.

**A vízmelegítő belsejében végzett beavatkozásokat fokozott figyelemmel végezze, hogy a készülékben található hegyes részekkel ne-hogy váratlanul megsértse magát!**



Vágott- és szúrt sebek, valamint horzsolások elszenvedése.

**A vízmelegítő újbóli üzembe helyezése előtt a beavatkozás által érintett biztonsági és ellenőrzési funkciókat mindig állítsa vissza eredeti állapotukba, és ellenőrizze azok működését.**



Az irányíthatatlanná váló készülék megrongálódhat, vagy letilthat.

**A készülék meleg vizet tartalmazható elemein történő beavatkozás előtt, a megfelelő szelep segítségével eressze le belőlük a vizet.**



Személyi égési sérülés elszenvedése.

**A használt készülék alkatrészeinek vízkömentesítését a termék biztonsági előírásoknak megfelelően végezze jól szellőztetett környezetben, megfelelő védőruházatban, ügyelve arra, nehogy a különböző termékek összekeveredjenek, és a készülék, illetve a környezetében lévő tárgyak ne-hogy kárt szenvedjenek!**



A bőrre, vagy szembe került savas vegyszerek, valamint a belélegzett, vagy lenyelt káros kémiai összetevők személyi sérülést okozhatnak.



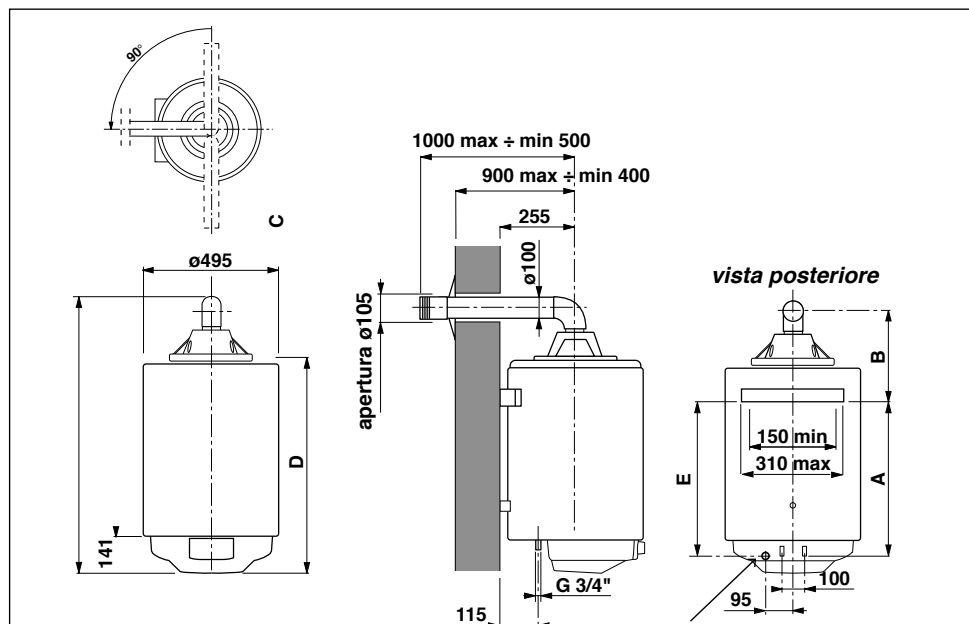
A savas vegyszerek tönkre tehetik a készüléket, illetve a környezetében lévő tárgyakat.

## MŰSZAKI JELLEMZŐK

### A készülék felépítése:

- hosszú élettartamot biztosító, belülről üveges zománcreteggel védett, a korrózió ellen védőanóddal ellátott tartály;
- zománcozott külső lemezburkolat;
- hővesztéséget csökkentő, CFC-mentes nagy sűrűségű poliuretánhab szigetelés;
- gázszelep:  
többállású állítható termosztát,  
termoelemes biztonsági rendszer,  
felsőhőmérséklet-határoló, amely rendellenes működés esetén megszakítja a gázellátást;
- csendes rozsdamentes acél csőéggő minden gáztípushoz;
- piezo elektromos gyújtás;
- füstgáz visszaáramlását megakadályozó biztonsági készülék.

## BEFOGLALÓ MÉRETEK



MODEL	Tényleges Urtartalo (liter)	A	B	C	D	E
80	75	495	365	945	702	510
100	100	640	375	1125	847	656

**KATEGÓRIA II**  
**Típus C11**

Földgázzal (metánnal) való működésre besabályozott készülékekhez, melyek alkalmasak cseppfolyós gázos működésre is.



### FIGYELEM!

**A készüléket szerelje erős, rezgésmentes falra!**

**A falfelület fúrása közben ügyeljen arra, hogy ne tegyen kárt a falban lévő elektromos vezetékekben és csövekben!**

**Bizonyosodjon meg róla, hogy a készülék felszerelésére kijelölt hely és azok a berendezések, amelyekhez csatlakoztatni kell, megfelelnek az előírásoknak!**

### ELHELYEZÉS

A karbantartási műveletek hatékony elvégzésének elősegítése érdekében beszereléskor tartsa be a megfelelő távolságokat!

Használjon vízmértéket, a készüléket helyezze el a helyes elhelyezés elvei szerint!

A készüléket az előzetesen a falra szerelt erős kampókra kell akasztani, melyek képesek megtartani a vízzel teli vízmelegítőt is. A távolságok a befoglaló méreteket tartalmazó táblázatban találhatóak.

### A beépítés helye

A beépítés helyének kiválasztásakor tartsa be a hatályos szabályok előírásait! A készüléket teljesen függőleges helyzetben kell beépíteni. A készüléket nem szabad hőforráshoz közel beépíteni.

Ne építse be a készüléket olyan környezetben, ahol a hőmérséklet elérheti a 0°C-ot!

### VÍZBEKÖTÉS

- A készüléket 3/4" G méretű csatlakozó csővel kell csatlakoztatni a vízellátó hálózathoz.  
A hideg víz bemenetet kék, a meleg víz kimenetet piros gyűrű jelzi.
- A készüléket el kell látni a hideg víz bevezető csövön (kék gyűrű) biztonsági szeleppel/visszacsapó szeleppel. A szelepet semmilyen esetben se állítsa át!
- Öblítse át a vízvezetékrendszert, hogy meggyőződhessen arról, nincs-e a bemeneti csőben fémforgács, homok, kenderkóc vagy egyéb szennyeződés. Ha ilyen anyagok kerülnének a biztonsági-visszacsapó szelepbe, zavarhatják annak működését, esetenként tönkretelhetik.
- Győződjön meg arról, hogy a vízellátó berendezés nyomása ne haladja meg a 8 bart (0,8 MPa)! Magasabb nyomás esetén építsen be jó minőségű nyomáscsökkentőt. Ebben az esetben a felfűtési idő alatt a szelep csöpögése szükségszerű. Csöpögés tapasztalható akkor is, ha a szelepre egyirányú elzárószelepet szereltek.

### FONTOS!

**Ha a készüléket olyan helyen szerelik be, ahol kemény víz van (>200 mg/l), vízlágyítót kell beszerezni annak érdekében, hogy a hőcserélőben ne rakódjon le nagy mennyiségű vízkő.**

**A vízkő okozta károk javítása nem garanciális tevékenység.**

## FÜSTGÁZ ELVEZETÉS ÉS SZELLŐZTETÉS CSATLAKOZTATÁSA

A füstgáz kivezetés és a szellőzőcsatorna csatlakoztatását a hatályos törvényeknek megfelelően valamint a gyártó utasítása szerint kell elvégezni.

A készülék C módban való üzemeltetésre van tervezve, külső levegő biztosításával.

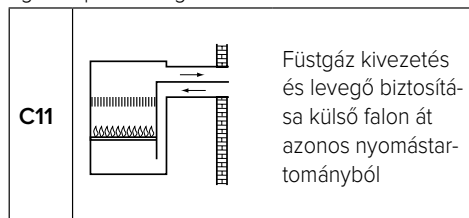
Füstgáz kivezetés telepítéskor legyen körültekintéssel a tömítésekre annak érdekében, hogy elkerülje a füstgáz szivárgását a levegőztető rendszerbe.

Vízszintesen telepített csőrendszer esetén kötelező 3%-os dőlésszög biztosítani annak érdekében, hogy elkerülje a kondenzátum felgyülemelését. Koncentrikus szívó/kimenő rendszer esetén kötelező a hivatalosan minősített kiegészítők használata.

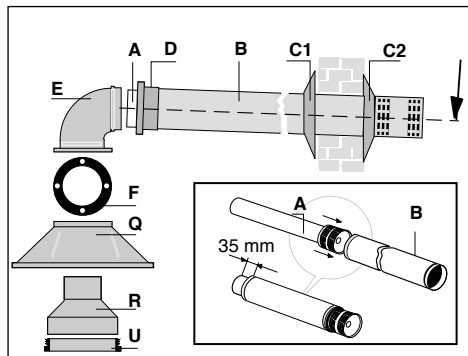
Füstgáz kivezető csövek nem telepíthetők gyúlékony anyagok közelébe, valamint nem haladhatnak keresztül olyan épületszerkezeti pontokon, melyek gyúlékony anyagból készültek. Szívó és kivezető vezetékek és csatlakoztató egységek a készüléktől függetlenül beszerezendők, figyelemmel kísérve a különböző szerkezeti megvalósításokat. Figyelmesen olvassa el a kiegészítők használati útmutatóját.

### Levegő beszívó/füstgáz kivezető vezeték típusa

Égést tápláló levegő külső bevezetése



### KOAXIÁLIS CSŐRENDSZERREL TÖRTÉNŐ BEÜZEMELÉS (C11 típus)



- A.** Ø 60-as alumínium füstcsoszellozo ráccsal L=1000mm
- B.** Ø 100-as alumínium cso L=860mm (levegő bevezetés)
- C1-C2.** Gumi korong
- D.** Gumi karmantyú a cso és a könyökidom összeillesztéséhez
- E.** 90°-os alumínium könyök
- F.** Tömítés
- Q.** Felső levegőkúp
- R.** Szukítás Ø90/60
- S.** O- gyurutömítés (2 db)
- T.** 90°-os levegő könyök
- U.** Tömítés (füstgáz)

A kivezetés általában a hátoldalon található, de lehet oldalt is 90°-ban. Az összeszerelést az alábbiak szerint végezze el:

- Miután az "U" tömitést felhelyezte a füstcsőre, nyomja rá az "R" szukítást.
- A "Q" felső levegőkúp beszerelése következik, a tartozék csavarok segítségével.
- Illeszse az "F" öntapadós tömitést a "Q" kúp felső részére.
- Fúrjon egy Ø 105 mm-es lyukat a falba úgy, hogy a beillesztett csövek enyhén lefelé álljanak ábra.

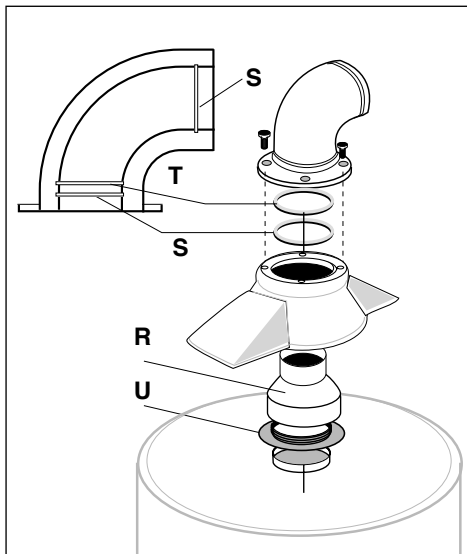


- Amennyiben a füstgáz kivezetés és a szellőztető csövek hossza nem megfelelő, vágja őket méretre úgy, hogy elég helyet hagy a 60-as átmérőjű cső 35 mm-es túlnyúlásának.
- Ütközésig nyomja össze az A és B csöveket.
- Helyezze a két S tömítést és a T membránt az E hajlításba az alábbi táblázat szerint:

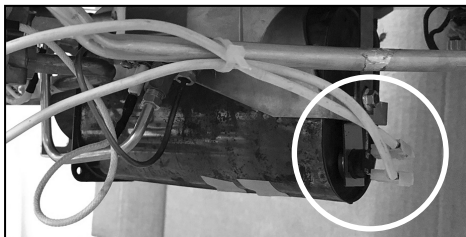
L = Hosszú kipufogócső [mm]		
	min 500 < L < 750	750 < L < 1000
T	IGEN	NEM

- Helyezze el a C1 belső gyűrűt a 100-as átmérőjű csőben.
- Húzza a D gumiperselyt a B csőre.
- Illessze a koncentrikus csövet a lezáróval a falban található lyukba.
- A C2 külső gyűrűt illessze a 100-as átmérőjű csőre.
- Csatlakoztassa a csövek végét az E könyökkel úgy, hogy az égéstermék A kivezető csőve csatlakozik a füstgáz könyökbe és a B szellőztető cső közt körülbelül 5 mm helyet hagy.
  - Illessze a D gumiperselyt úgy, hogy az takarja az E könyök és a 100 mm átmérőjű cső csatlakozását.
- Illessze az E könyököt a Q burkolatba, majd rögzítse a mellékelt 4 csavarral.
  - Használjon cement maltert vagy hasonló anyagot, amivel lezárja az üres teret a B cső és fal között.

**Ebben a konfigurációban a csöveknek nem szabad 1 méternél hosszabbnak lenniük. Ne használjon semmilyen toldást.**



**Clicson**  
(túlhőmérséklet-védelem 120°C ± 3)



## GÁZBEKÖTÉS



### FIGYELEM!

**Az előírásoknak megfelelően történő beszerelést, első beüzemelést, karbantartás során történő beüzemelési szabályozást kizárólag képzett szakember végezheti el.**

- Ellenőrizze, hogy a szolgáltatott gáz típusa megegyezik-e a készülék adat-tábláján feltüntetett adatokkal.
- Nyissa ki az ajtókat és az ablakokat.
- Szikrák keltése és nyílt láng használata tilos!
- A készülékeket szokás szerint 8100 kcal/m<sup>3</sup> fűtőértékű metán G20 (PCI) gázzal való működésre szabályozzák be. Ezért ha a készülék ezzel a gázzal működik, nem kell beállítani. Másféle gázzal való működés esetén a beüzemelési szabályozást szakképzett szakembernek kell elvégeznie.
- A szelephez való gázbekötéshez használjon 1/2" G méretű csövet.
- A gázrendszer elé gázlezáró csap beszerelése javasolt.
- A gázhálózatra merev (acél, réz, stb.), és nem termoplasztikus és/vagy gumi tömlővel kell csatlakoztatni a készüléket.
- Miután levette a sapkát, és rákötötte a készüléket a gázhálózatra, szappanos oldattal ellenőrizze, hogy nem szivárogo-e a gáz. Az ellenőrzést ne lángpróbával végezze!

A vízmelegítőt a magnézium anóddal látták el, melyet a kazánba szereltek. Az anód élettartama arányban áll a víz átlaghőmérsékletével, a víz kémiai összetételével és a vízvételek számával.

Mindemellett javasolt az anódot 18-24 havonta ellenőrizni, ügyelni homogén, sima felületére. Ha az átmérője 10-12 mm alá csökken, tanácsos új, eredeti anódra lecserélni.

Megjegyzés: Az anód a készülék alsó részén található, a védőborítás alatt.

# UTASÍTÁSOK AZ ÜZEMBE HELYEZŐ SZÁMÁRA

## Utasítások a gyári beállítástól eltérő gázfajtára való beszabályozásra. Földgázzról (G20) cseppfolyós gázra (G30-G31), EUROSIT gázszeleppel

A készülék más gázfajtára történő beszabályozásához végezze el a következő műveleteket:

- Cserélje ki a főégő fűvókáját (1),

### H ábra.

Csavarja és húzza ki a fűvókát (1), majd cserélje ki egy újjal.

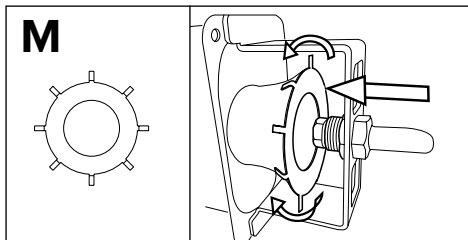
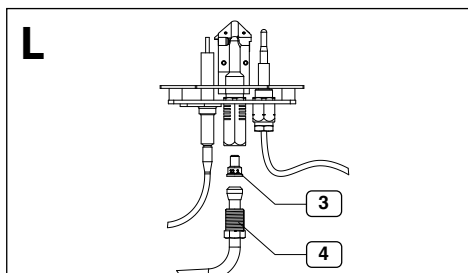
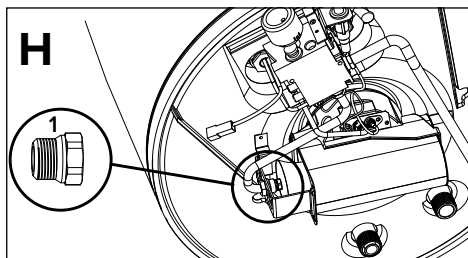
- Csavarja ki a csatlakozót (4), **L ábra** és húzza kifelé a csövet. Cserélje ki az őrláng fűvókáját (3) a megfelelő fűvókára.

Helyezze vissza és rögzítse a csatlakozót (4).

- helyezze be a membránt a fűvóka és a Venturi-cső, amint az a 2. látható.

### M ábra.

- A fűvóka nyílás méretének száz milliméteres meghatározásával a fenti táblázat a következőket tartalmazza:



	FŐÉGŐ	KÍSÉRLETI ÉGŐ
Metán gáz (G20)	160	22x2
Cseppfolyós gáz (G30 G31)	100	22x1

## ŐRLÁNG SZABÁLYOZÁSA

### (EUROSIT szelep)

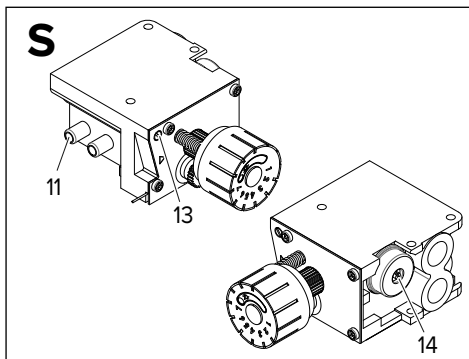
A 13 jelű csavarral lehet szabályozni az őrlángot, **S ábra**.

Az őrláng akkor van jól beállítva, ha 2-3 cm hosszú, és eléri a termoelem csúcsát.

## A SZOLGÁLTATOTT GÁZ NYOMÁSÁNAK ELLENŐRZÉSE.

A gáznyomást a 11 jelű nyomásmérési ponton lehet megmérni, **S ábra**, nyomásmérővel, mbar-ban kifejezve.

**!** FIGYELEM! Amennyiben G30, G31 gázt használ, lazítsa ki a szelepet két fordulattal az óramutató járásával ellentétes irányba. (**14.S**)



		CSATLAKOZÁSI NYOMÁS	BURNER PRESSURE
Metán gáz (G20)		20 mbar	13 mbar
Cseppfolyós gáz	Bután (G30)	29 mbar	28,5 mbar
	Propán (G31)	37 mbar	36 mbar

## BEKAPCSOLÁS

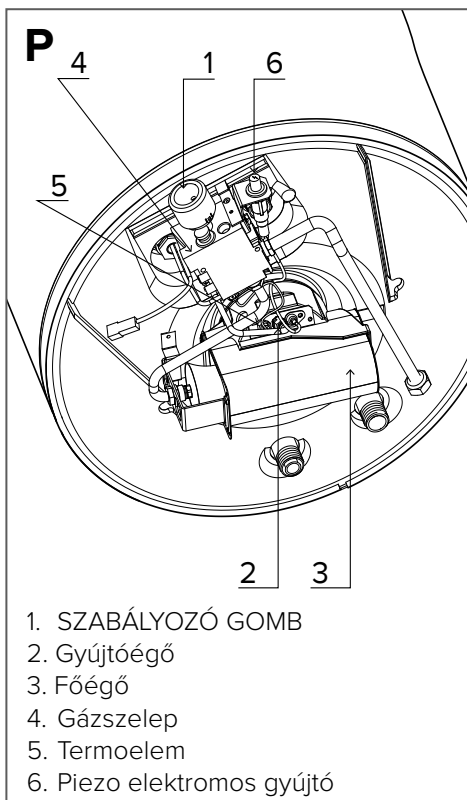
**!** FIGYELEM!

Az égő begyújtása előtt ellenőrizze, hogy a gázalkatrész csoport tökéletesen a helyén legyen, illetve, hogy a szállítás nem okozott-e károkat a készülék több elemén.

Csavarja az 1 jelű gombot **O** (kikapcsolt) állásból **★** (órláng) állásba, **P ábra**.

Nyomja be teljesen az 1 jelű gombot, tartsa nyomva, és közben nyomja be a 2 jelű piezo elektromos gyújtót. Ellenőrizze, hogy meggyulladt-e az égő lángja. Ha ellenőrizte a lángot, tartsa nyomva a B gombot körülbelül 20 másodpercig. Ha az órláng kialszik, ismételje meg az előbbi műveletet.

Előfordulhat, hogy hosszabban kell lenyomva tartani a gombot, mert meg kell várni, amíg a gázcsövekben esetlegesen található levegő eltávozik.



1. SZABÁLYOZÓ GOMB
2. Gyújtóégő
3. Főégő
4. Gázszelep
5. Termoelem
6. Piezo elektromos gyújtó

## KARBANTARTÁS

A karbantartás a biztonság, a megfelelő működés és a készülék hosszú élettartama érdekében alapvető fontosságú. A hatályos előírások szerint kell végrehajtani.



### FIGYELEM!

**A karbantartási műveletek megkezdése előtt zárja el a szaniter berendezés gáz- és vízcsapját.**

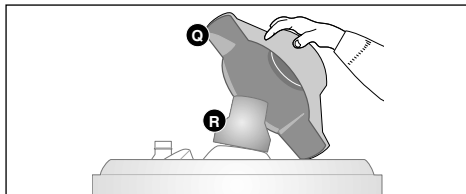
Ajánlatos évente legalább egyszer elvégezni a következő műveleteket:

1. Vízhálózat tömítéseinek ellenőrzését.
2. A gázhálózat tömítéseinek ellenőrzését, és a nem jól záró tömítések cseréjét.
3. A készülék és az égetés általános állapotának szemrevételezését.
4. Az égéskamra szemrevételezését és az égő esetleges megtisztítását.
5. A 3-as és 4-es pontban leírt ellenőrzést követően lehetőleg a fűvóka leszerelését és megtisztítását.
6. A gáz áramlási sebességének beállítását.
7. A vízbiztonsági rendszerek működésének ellenőrzését (hőmérséklet és nyomás határértékeket).
8. A gázbiztonsági rendszerek működésének ellenőrzését (gáz vagy láng meglétét, gázszelepet, stb.)
9. A helyiség szellőzésének ellenőrzését.
10. Az égéstermékek ürítésének ellenőrzését.

Megjegyzés: A művelet során vigyázzon a vízmelegítő belsejére, a belső védőburkolatnak nem szabad károsodnia.

## A füstgáz kivezető cső tisztítása

Emelje le a belső védőajtót és vegye ki a gázblokkot. Szerelje le a "Q" felső kúpot és az "R" szűkítőt a;



ábra szerint. Húzza ki a füstgázperdítő elemet, és a csöveget tisztítsa meg fémkefével, vigyázzon nehogy megsérüljön a bevonat.

## Felhasználói információk

Tájékoztassa a felhasználót a készülék működtetésének módozatairól!

A használati útmutatót mindenképpen adja át a felhasználónak, hangsúlyozva, hogy tartsa azokat a készülék közelében!

Továbbá mutassa meg a felhasználónak a következőket:

- Mutassa meg, hogyan lehet beállítani a hőmérsékletet és a szabályozást, melyek ismeretében a készülék megfelelően és gazdaságosabban üzemeltethető.
- Végeztesse el a készülék előírt időszakos karbantartását.
- Semmilyen esetben se változtassa meg az égést tápláló levegőre, illetve a füstgázra vonatkozó beállításokat!

## ADATTÁBLA

 00000000 00,14312,00000000			sorozatszám
Gyártási év	Gyártás dátuma (az adott év napja)		

## MŰSZAKI ADATOK

Terméktípus azonosítója	S/SGA BF X ...		
Modell	80	100	
EK-tanúsítvány	51CT4924		
Névleges űrtartalom	l	75	100
Valós űrtartalom	l	75,7	99,3
Névleges nyomás	bar	8	8
Névleges hőterhelés	kW	3,7	3,7
Névleges hőterhelés (G30-G31)	kW	3,5	3,5
Hasznos teljesítmény	kW	3,3	3,3
Hasznos teljesítmény /G30-G31)	kW	3,1	3,1
Felfűtési idő ACS t 45°C	min.	54	64
ERP			
Megállapított terhelési profil		M	M
A vízmelegítés energiahatékonysága $\eta_{wh}$	%	65	65
Energiaosztály		A	A
Napi tüzelőanyag-fogyasztás $Q_{fuel}$	kWh	9,916	9,916
Hangerőszint $L_{WA}$	dB	55	55
Nitrogén-oxid kibocsátás (magasabb fűtőérték)	[mg/kWh]	54	54
Éves tüzelőanyag-fogyasztás AFC	GJ/annum	7,1	7,1
Kevert víz 40°C-on V40	l	95	120
"Out of the box" set-point hőmérséklet	°C	60	60
A termosztát hivatkozási beállítása		5	5
Csatlakozási gáznyomás			
Metán G20	mbar	20,0	20,0
Cseppfolyós gáz (bután) G30	mbar	29,0	29,0
Cseppfolyós gáz (propán) G31	mbar	37,0	37,0
Gázfogyasztás			
Metán G20	m <sup>3</sup> /h	0,416	0,416
Cseppfolyós gáz (bután) G30	kg/h	0,122	0,122
Cseppfolyós gáz (propán) G31	kg/h	0,161	0,161
Füstgáz értékek			
Huzatnyomás	mbar	0,015	0,015

**Az egyenértékű típusok listáját a kézikönyv szerves részét alkotó A mellékletben találja.**

A vízmelegítő és a napenergia-készülékek egységeihez tartozó termékek címke és a megfelelő műszaki adatlap nélkül a 812/2013 sz. szabályzat értelmében nem használandók ezen egységek létrehozásához.

# OBECNÉ BEZPEČNOSTNÍ POKYNY

1. **Pozorně si přečtete pokyny a varování uvedené v tomto návodu k použití, protože poskytuje důležité informace týkající se bezpečnosti instalace, použití a údržby. Tento návod tvoří nedílnou a nezbytnou součást výrobku. Bude muset neustále provázet zařízení, a to i při postoupení zařízení novému majiteli nebo uživateli a/nebo při jeho přemístění na jiné místo.**
2. Výrobce nemůže být odpovědný za případné ublížení na zdraví osob a zvířat nebo za škody na majetku, vyplývající z nesprávného, chybného nebo nerozumného použití nebo z nedodržení pokynů uvedených v tomto návodu.
3. Toto zařízení slouží k produkci teplé užitkové vody, určené pro použití v domácnosti. Musí být připojeno do rozvodu teplé užitkové vody (TUV) v souladu s jeho vlastnostmi a výkonem. Je zakázáno použití k odlišným účelům, než je uvedeno. Výrobce nemůže být odpovědný za případné škody vyplývající z nesprávného, chybného nebo nerozumného použití nebo z nedodržení pokynů uvedených v tomto návodu.  
 Technik provádějící instalaci musí být oprávněný pro instalaci zařízení pro ohřev v souladu s Ministerskou vyhláškou č. 37 z 22. ledna 2008 a obdobnými předpisy, které obsahují nařízení ohledně instalace rozvodů v budovách.  
 Toto zařízení odpovídá z hlediska materiálů přicházejících do styku s užitkovou vodou požadavkům Ministerské vyhlášky č. 174/2004 z 6. dubna 2004.
4. Instalace, údržba a jakýkoli zákrok se musí provádět v souladu s platnými normami a pokyny, které poskytli výrobce v souladu se související legislativou (Vyhl. prez. rep. 74/2013 a obdobné předpisy). V případě poruchy a/nebo nesprávné činnosti vypněte zařízení, zavřete kohout přívodu plynu a nepokoušejte se o jeho opravu, ale obraťte se na kvalifikovaný personál.

Případné opravy mohou být provedeny pouze kvalifikovanými technikami, kteří přitom musí použít výhradně originální náhradní díly. Nedodržení výše uvedených pokynů může negativně ovlivnit bezpečnost zařízení a způsobit propadnutí jakékoli odpovědnosti ze strany výrobce.

V případě prací nebo údržby konstrukcí nacházejících se v blízkosti potrubí nebo zařízení pro odvádění kouře a jejich příslušenství je třeba vypnout zařízení a po ukončení prací nechat provést kontrolu potrubí a zařízení kvalifikovaným technickým personálem.

5. Součásti obalu (spony, plastové sáčky, pěnový polystyren atd.) se nesmí nechat v dosahu dětí, protože představují zdroj nebezpečí.
6. Toto zařízení může být používáno dětmi ve věku nejméně 8 let a osobami s omezenými fyzickými, smyslovými nebo duševními schopnostmi nebo osobami bez zkušeností nebo potřebné znalosti, pokud jsou pod dozorem nebo byly poučeny o bezpečném použití zařízení a chápou související nebezpečí.  
 Děti si nesmí hrát se zařízením. Čištění a údržbu, které má provádět uživatel, nesmějí provádět děti bez dozoru.
7. Platí povinnost našroubovat na trubku pro přívod vody do zařízení pojistný ventil, který vyhovuje národním předpisům. V zemích, které přijaly normu EN 1487, musí být součástí bezpečnostní jednotka určená pro maximální tlak 0,7 MPa a její součástí musí být nejméně uzavírací ventil, zpětný ventil, pojistný ventil a zařízení pro přerušování zatížení způsobeného tlakem vody.
8. Přetlakové zařízení (pojistný ventil nebo bezpečnostní jednotka) nesmí být vystaveno neoprávněnému zásahu a musí být pravidelně uváděno do činnosti, aby se ověřilo jeho případné zablokování a aby se odstranily případné nánosy vodního kamene.

9. Kapání přetlakového zařízení ve fázi ohřevu vody je běžným jevem. Z tohoto důvodu je třeba připojit výstup, který však musí být otevřen do atmosféry; připojení se provádí prostřednictvím drenážní trubky nainstalované se sklonem směrem dolů a na místě, kde nedochází k tvorbě ledu.
10. Když má zařízení zůstat nepoužíváno v místnosti vystavené mrazu, je nezbytné jej vyprázdnit a odpojit od elektrické sítě.
11. Produkovaná teplá voda o teplotě nad 50 °C v místě provozních ventilů může okamžitě způsobit vážné popáleniny. Děti, postižení a starší lidé jsou více vystaveni tomuto riziku. Proto se doporučuje použít termostatický směšovací ventil s objímkou červené barvy, který je třeba našroubovat na trubku pro výstup vody ze zařízení.
12. Žádný hořlavý prvek nesmí přicházet do styku se zařízením a/nebo se nesmí nacházet v jeho blízkosti.
13. Nepostávejte pod zařízením a neumísťujte pod něj žádné předměty, které by například mohly být poškozeny případným únikem vody.
14. K čištění zařízení nepoužívejte insekticidy, rozpouštědla ani agresivní čisticí prostředky, protože hrozí riziko poškození plastových nebo lakovaných součástí.
15. V případě, že ucítíte zápach spáleniny nebo uvidíte kouř unikající ze zařízení, vypněte zařízení, zavřete hlavní ventil přívodu plynu, otevřete okna a upozorněte na vzniklý problém příslušného technika. Pozor! Hrozí riziko popálení, vdechnutí kouře nebo otravy!
- 16. Pro zajištění účinnosti a správné činnosti zařízení je třeba provádět roční údržbu a analýzu spalin, a to ve lhůtách stanovených zákony platnými na daném území. Technický personál musí být kvalifikovaný a musí vyplnit servisní knížku v souladu s platnými předpisy.**



# UŽIVATELSKÝ NÁVOD K POUŽITÍ

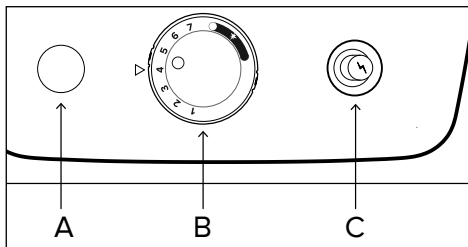


## UPOZORNĚNÍ!

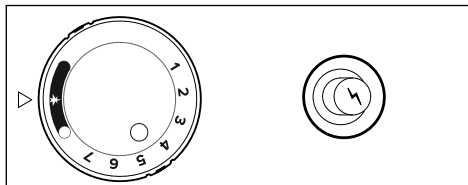
Instalaci, první zapnutí a seřízení v rámci údržby musí provádět výhradně kvalifikovaný personál v souladu s uvedenými pokyny.

Chybná instalace může způsobit ublížení na zdraví osob a zvrátat a škody na majetku, za které výrobce nemůže být odpovědný. Když je zařízení nainstalováno uvnitř bytu, zkontrolujte, zda jsou dodržena nařízení týkající se přívodu vzduchu a ventilace místnosti (v rámci platné legislativy).

## POSTUP PŘI ZAPNUTÍ



Přestavte otočný ovladač B z polohy  (vypnuto) do polohy  (zapnutý pilotní hořák).




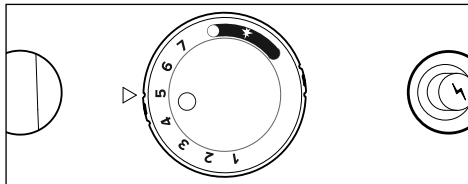
Stiskněte otočný ovladač B až na doraz, přidržte jej ve stisknutém stavu a současně stiskněte piezoelektrický zapalovač C.

Přes otvor A zkontrolujte, zda je zapálený plamen hořáku. Když je plamen zapálený, přidržte otočný ovladač B stisknutý ještě po dobu přibližně 20 sekund.

Když plamen hořáku nezůstane zapálen, zopakujte výše popsany postup.

## NASTAVENÍ TEPLoty VODY

Prostřednictvím otočného ovladače B je možné nastavovat teplotu teplé vody. Otočte otočný ovladač z polohy zapnutí do polohy  do polohy od 1 do 7.



Pro větší množství teplé vody je doporučeno nechat volič v poloze (5) a vodu smíchat pro dosažení požadované teploty.




## UPOZORNĚNÍ!

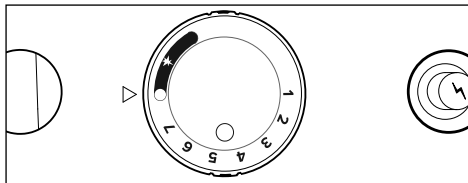
Produkovaná teplá voda o teplotě nad 50°C může okamžitě způsobit vážné popáleniny. Teplota vody ve výrobku může tuto teplotu překročit, zvláště po delším období bez odběru vody díky izolaci.

Vždy zkontrolujte teplotu vody před jejím použitím.

Doporučujeme také použít termostatické směšovací ventily.

## POSTUP PŘI VYPNUTÍ

Pro vypnutí zařízení otočte otočný ovladač B do polohy  (vypnuto).



V případě delší doby bez potřeby ohřevu vody je doporučeno výrobek vypnout

# UŽIVATELSKÝ NÁVOD K POUŽITÍ

## RADY PRO POUŽITÍ

Věnujte pozornost tomu, aby byly ventily teplé vody rozvodu dokonale vodotěsné, protože kapání znamená spotřebu plynu a možné zvýšení teploty vody.

Když má rozvod zůstat bez použití v místnosti vystavené působení mrazu, zařízení vypustíte.

Při vypouštění zařízení je třeba:

- a) vypnout hořák a zavřít přívod plynu;
- b) zavřít ventil přívodu vody na vstupu zařízení;
- c) odmontovat trubku pro přívod studené vody i pojistný ventil;
- d) připojit hadici, s délkou vhodnou pro vzdálenost od odtoku, k trubce pro přívod vody (s modrým kroužkem) ohříváče vody;
- e) otevřít ventil pro dodávku teplé vody na výstupu zařízení.

### Upozornění!

**Při vypouštění může ze zařízení vytékat vroucí voda.**

Před prováděním čištění vnějších částí vypněte zařízení. Čištění provádějte s použitím vlhkého hadru namočeného v mýdlové vodě.

Nepoužívejte agresivní čisticí prostředky, insekticidy ani toxické výrobky. Dodržení platných norem umožní bezpečnou a ekologickou činnost a úsporu energie.

**POZNÁMKA:** Vnitřní tělo ohříváče vody nesmí být během uvedeného postupu vystaveno nárazům, které by mohly poškodit vnitřní ochranný plášť.

## DOPORUČENÍ PRO PŘEDCHÁZENÍ ŠÍŘENÍ LEGIONELLY

Legionella je druh bakterie ve tvaru tyčinky, která je přirozeně přítomna ve všech pramenitých vodách.

„Legionářská choroba“ spočívá ve speciálním druhu zápalu plic způsobeném inhalací vodní páry, která obsahuje právě uvedenou bakterii. Z tohoto pohledu je třeba zabránit dlouhodobé stagnaci vody obsažené v zařízení, který by měl být použit nebo vyprázdněn nejméně v týdenních intervalech.

Evropská norma CEN/TR 16355 poskytuje pokyny ohledně správných postupů, které je třeba přijmout pro zabránění proliferace legionelly v pitných vodách. V případě existence ještě přísnějších místních norem je nezbytná aplikace těchto postupů.

Tento akumulární ohříváč vody je prodáván s termostatem, který se vyznačuje pracovní teplotou vyšší než 60 °C; je proto vhodný k provedení cyklu tepelné dezinfekce, který umožňuje omezit šíření bakterií legionelly v zásobníku.


Aby se zabránilo dlouhodobému neodtékání vody, je třeba ji používat nebo nechat dostatečně odtéct nejméně jednou týdně.


### UPOZORNĚNÍ!

**Voda o teplotě vyšší než 50 °C způsobuje vážné popáleniny. Před jakýmkoli použitím vždy zkontrolujte teplotu vody.**

# BEZPEČNOSTNÍ POKYNY PRO TECHNIKA PROVÁDĚJÍCÍHO INSTALACI


Vysvětlivky k symbolům:

 Nedodržení varování má za následek riziko ublížení na zdraví osob, za určitých okolností také smrtelné.


 Nedodržení upozornění má za následek riziko způsobení škod na majetku, rostlinách nebo ublížení zvířatům, za určitých okolností také vážné.

Výrobce nebude moci být považován za odpovědného za případné škody způsobené nevhodným použitím výrobku nebo nepřizpůsobením instalace pokynům uvedeným v tomto návodu.


**Nainstalujte zařízení na pevnou stěnu, která není vystavena vibracím.**

 Hlučnost během činnosti.


**Při vrtání do stěn dbejte na to, aby nedošlo k poškození existujících elektrických kabelů nebo potrubí.**


 Zásah elektrickým proudem následkem styku s vodiči pod napětím.

Poškození existujících rozvodů.


 Vytopení následkem úniku vody z poškozených potrubí.


**Ujistěte se, že prostředí, do kterého je zařízení instalováno, a rozvody, ke kterým je třeba jej připojit, odpovídají platným předpisům.**

 Zásah elektrickým proudem následkem styku s chybně nainstalovanými vodiči pod napětím.


 Poškození zařízení následkem nevhodných provozních podmínek.

**Použijte manuální nářadí a zařízení vhodná k danému účelu (zejména se ujistěte, zda není nářadí opotřebované a zda je jeho rukojeť neporušená a řádně upevněná), použijte je předepsaným způsobem, zajistěte je proti pádu z výšky a po použití je uschovejte.**


 Osobní ublížení na zdraví způsobené úlety úlomků nebo fragmentů, inhalací prachu, nárazy, pořezáním, píchnutím, oděry.

 Poškození zařízení nebo okolních předmětů následkem úletů úlomků, úderů, zářezů.


**Ujistěte se, zda jsou pohyblivé žebříky opřené stabilním způsobem, zda jsou dostatečně odolné, zda jsou jednotlivé příčky neporušené a zda nejsou kluzké, zda jsou dostatečně zajištěné proti přesunům během jejich použití, zda je přítomen někdo, kdo dohlídí na dodržení uvedených požadavků.**

 Ublížení na zdraví osob následkem pádu z výšky nebo pádu zapříčiněného žebříkem (u dvojitých žebříků).


**Ujistěte se, že jsou žebříky a nástavba stabilně opřené, zda jsou dostatečně odolné, zda jsou vybavené zábradlím podél rampy a na podlaze, zda jsou jednotlivé příčky neporušené a zda nejsou kluzké.**

 Ublížení na zdraví osob následkem pádu z výšky.


**Během prací ve výšce se ujistěte (obvykle při převýšení vyšším než dva metry), zda je pracovní plocha ohraničena zábradlím nebo osobními ochrannými postroji zabraňujícími pádu, zda je prostor, ve kterém by probíhal případný pád, zbaven nebezpečných překážek, zda by byl případný pád utlumen polopevnými nebo deformačními povrchy.**

 Ublížení na zdraví osob následkem pádu z výšky.


**Ujistěte se, zda pracovní prostor disponuje vhodnými hygienicko-sanitárními podmínkami týkajícími se osvětlení, větrání a pevnosti.**

 Ublížení na zdraví osob následkem nárazů, zakopnutí apod.


**Chraňte zařízení a okolí pracovního prostoru s použitím vhodného materiálu.**

 Poškození zařízení nebo okolních předmětů následkem úletů úlomků, úderů, zářezů.


**Manipulujte se zařízením s použitím vhodných ochranných a s potřebnou opatrností.**

 Poškození zařízení nebo okolních předmětů následkem nárazů, úderů, zářezů, přitlačení.


**Během činnosti používejte ochranný oděv a osobní ochranné prostředky. Je zakázáno dotýkat se nainstalovaného výrobku bez obuvi nebo s mokřými částmi těla.**

 Ublížení na zdraví osob způsobené vymrštěním úlomků nebo fragmentů, inhalací prachu, nárazy, pořezáním, píchnutím, oděry, hlukem, vibracemi.


**Rozmístěte materiál a zařízení tak, aby umožňovaly pohodlnou a bezpečnou manipulaci, a vyhněte se stavění hromad, které by mohly povolít nebo spadnout.**

 Poškození zařízení nebo okolních předmětů následkem nárazů, úderů, zářezů, přitlačení.

**Úkony uvnitř zařízení se musí provádět s potřebnou opatrností a je třeba se při nich vyhnout styku se zahrocenými součástmi.**

 Ublížení na zdraví osob pořezáním, píchnutím nebo oděrem.


**Po ukončení zásahu na zařízení obnovte všechny bezpečnostní a kontrolní funkce a přesvědčte se o jejich funkčnosti ještě před opětovným uvedením zařízení do činnosti.**


 Poškození nebo zablokování zařízení následkem nekontrolované činnosti.

**Aktivací příslušných odvzdušnění vyprázdňte součásti, které by mohly obsahovat teplou vodu, ještě předtím, než s nimi budete manipulovat.**

 Ublížení na zdraví osob následkem popálenin.

**Proveďte očištění součástí od vodního kamene při současném dodržení pokynů uvedených v bezpečnostním listu použitého výrobku; přitom větrejte dané prostředí, použijte osobní ochranné prostředky, zabraňte směšování odlišných výrobků a ochraňte zařízení a okolní předměty.**

 Ublížení na zdraví osob následkem styku kůže nebo očí s kyselými látkami, inhalace nebo požití škodlivých chemických látek.

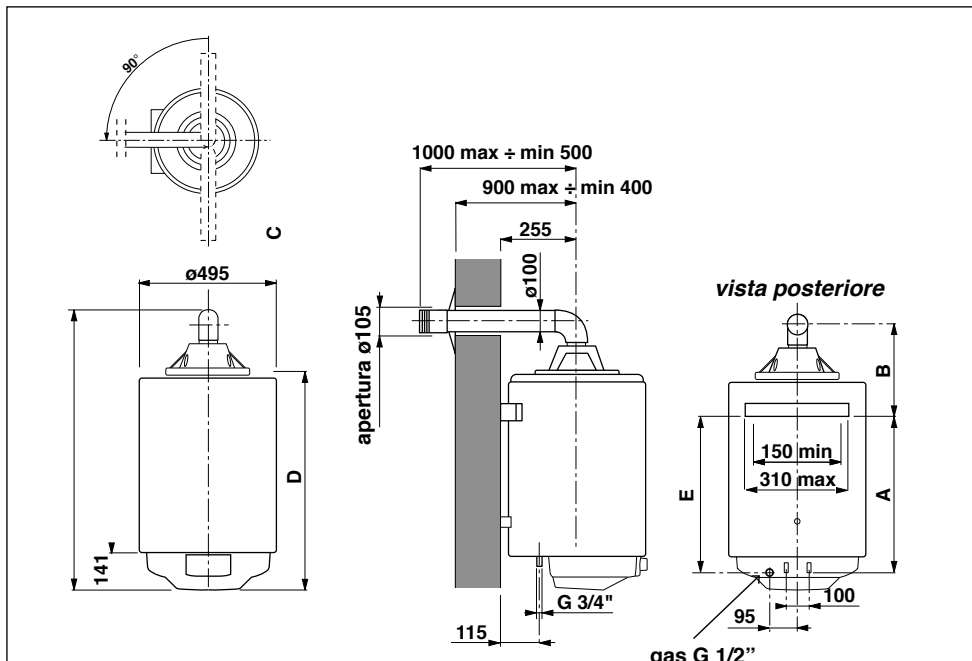
 Poškození zařízení nebo okolních předmětů následkem koroze způsobené kyselými látkami.

## TECHNICKÉ ÚDAJE

### K součástí zařízení patří:

- zásobník chráněný na vnitřní straně vrstvou lakovaného smaltu, vybavený ochrannou anodou proti dlouhodobé korozi;
- vnější plášť z lakovaného plechu;
- izolace z polyuretanové pěny s vysokou hustotou (bez CFC), která snižuje tepelné ztráty;
- odsavač kouře proti zpětnému toku spalin;
- plynový ventil vybavený:
  - termostatem nastavitelným do více poloh,
  - bezpečnostním systémem s termočlánkem;
  - omezovačem teploty, který přeruší přívod plynu v případě poruchové činnosti;
- tichý trubkový hořák z korozivzdorné oceli, přizpůsobitelný pro všechny druhy plynů;
- piezoelektrický zapalovač;
- bezpečnostní zařízení na ochranu proti zpětnému toku spalin.

### VNĚJŠÍ ROZMĚRY



MODEL	Objem (l)	A	B	C	D	E
80	75	495	365	945	702	510
100	100	640	375	1125	847	656

<b>KATEGORIE II<sub>2H3+</sub></b> <b>Typ C11</b>	Pro zařízení uzpůsobené pro činnost se zemním plynem (metan), které jsou přizpůsobitelné pro činnost s kapalným plynem.
--	---



### UPOZORNĚNÍ!

**Nainstalujte zařízení na pevnou stěnu, která není vystavena vibracím.**

**Při vrtání do stěn dávejte pozor, aby nedošlo k poškození existujících elektrických kabelů nebo potrubí.**

**Ujistěte se, že prostředí, do kterého je zařízení instalováno, a rozvody, ke kterým je třeba jej připojit, odpovídají platným předpisům.**

### UMÍSTĚNÍ

Aby bylo možno pohodlně provést úkony údržby zařízení, je třeba dodržet minimální vzdálenosti uvedené na obrázku. Zařízení umísťte dle pravidel dobré techniky a s použitím vodováhy.

Přichycení ke zdi se provádí prostřednictvím mohutných háků (vhodných pro udržení hmotnosti plně zatíženého zařízení) předem připevněných na zeď. Vzdálenosti jsou uvedeny v tabulce vnějších rozměrů.

### Místo instalace

Při volbě místa instalace zařízení dodržujte nařízení platných norem.

Zařízení musí být nainstalováno do dokonale svislé polohy. Zařízení nesmí být nainstalováno do blízkosti zdroje tepla.

Zařízení neinstalujte do prostředí, ve kterých může teplota klesnout až na 0 °C.

## PŘIPOJENÍ K ROZVODU VODY

- Připojení k vodovodní síti je třeba provést prostřednictvím trubky o průměru 3/4" G. Přívod studené vody je označen modrým kroužkem, zatímco výstup teplé vody je označen červeným kroužkem).
- Na potrubí přívodu vody (s modrým kroužkem) zařízení musí být namontován pojistný/zpětný vodní ventil. Do ventilu se nesmí nijak neoprávněně zasahovat.
- Nechte vodu určitou dobu vytékat a ujistěte se přitom, že se v potrubí nenacházejí cizí tělesa, jako jsou kovové třísky, písek, konopí apod. Kdyby taková tělesa vnikla do pojistného-zpětného ventilu, ohrozila by jeho řádnou činnost a v některých případech by mohla dokonce způsobit jeho prasknutí.
- Ujistěte se, že tlak v rozvodu pro dodávku teplé vody nepřekračuje 8 barů (0,8 MPa). V případě vyššího tlaku platí povinnost použít vysoce kvalitní reduktor tlaku. V takovém případě musí vodní ventil ve fázi ohřevu nutně kapat. Kapání se musí objevit také v případě, když je na vstupu ventilu aplikován zpětný ventil.

### DŮLEŽITÁ INFORMACE!

**Když je zařízení nainstalováno do oblastí s tvrdou vodou (> 200 mg/l), je třeba nainstalovat změkčovač pro omezení vytváření nánosů vodního kamene ve výměníku.**

**Záruka se nevztahuje na škody způsobené vodním kamenem.**

## NAPOJENÍ ODVODU SPALIN A VĚTRACÍCH KANÁLŮ

**Odvod spalin a větrací kanály musí být nainstalovány v souladu s platnými předpisy a pokyny výrobce.**

Zařízení je určeno k provozu v režimu C s přívodem vzduchu z venku.

Při instalaci odsávacího systému buďte opatrní při manipulaci s těsněním, aby nemohlo dojít k úniku spalin do oběhu vzduchu.

Horizontálně instalované potrubí musí mít klesající sklon 3 %, aby nedocházelo k nahromadění kondenzátu.

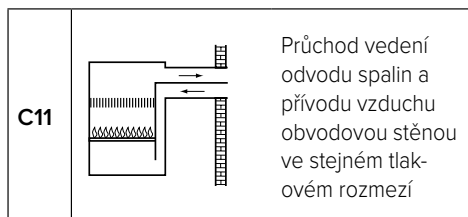
V případě instalace koaxiálních sacích a odsávacích systémů je povinné použití původního příslušenství.

Vedení odvodu spalin ne smí dostat do kontaktu s hořlavými materiály, nesmí být umístěno v jejich blízkosti a nesmí vést stavebními konstrukcemi nebo stěnami zhotovenými z hořlavých materiálů.

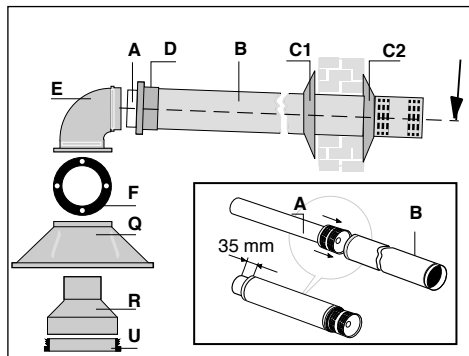
Propojovací sady sacího a odsávacího vedení jsou dodávány odděleně od zařízení podle různých řešení instalace. Pečlivě si prostudujte pokyny přiložené k jednotlivým sadám.

### Typ vedení přívodu vzduchu a odvodu spalin

Spalovací vzduch nasáván z venku



### INSTALACE S KOAXIÁLNÍMI KOUŘOVÝMI TRUBKAMI (TYP C11)



- A.** Hliníková kouřová trubka Ø60 provedená s koncovkou L = 1000 mm (odvod)
- B.** Hliníková kouřová trubka Ø100 L = 860 mm (přívod vzduchu)
- C1-C2.** Pryžový kroužek (č. 2)
- D.** Pryžová objímka pro spojení trubky a kolena
- E.** Hliníkové koleno 90°
- F.** Těsnění
- Q.** Horní vzduchový kryt
- R.** Adaptér kouřové trubky 90/60
- S.** Těsnicí kroužek (č. 2)
- T.** Membrána
- U.** Těsnění odsávání

Odsávání je obvykle umístěno v zadní části, ale může být i na boční straně pod úhlem 90°. Jednotku instalujte následujícím způsobem:

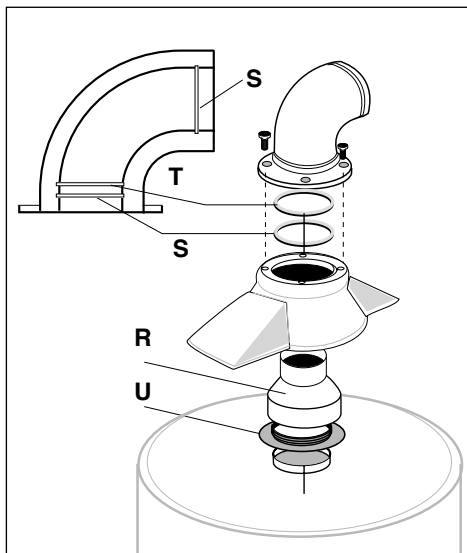
- Těsnění U vložte do výfukového potrubí a poté vložte adapter R (stlačte ho požadovanou polohy).
- Nainstalujte vzduchový kryt Q včetně šroubů. Příslušné těsnění F vložte do horní části krytu Q.
- Do stěny vyvrtejte otvor o průměru 105 mm tak, aby byly trubky mírně nakloněny směrem dolů.

- V případě nutnosti zkrácení odsávacího a větracího potrubí ho uřežte na požadovanou délku včetně přídávku 35 mm na výčnělek trubky o průměru 60 mm.
- Odsávací trubku A zasuňte do trubky B až po zarážku na konci.
- Vložte dvě těsnění S a membránu T do ohybu E podle následující tabulky:

L = Délka výfukového potrubí [mm]		
	min 500 < L < 750	750 < L < 1000
T	ANO	NE

- Do trubky o průměru 100 vložte vnitřní kroužek C1.
- Do trubky B zasuňte pryžovou objímku.
- Do otvoru ve stěně zasuňte koaxiální trubku s koncovkou.
- Na trubku průměru 100 nasuňte kroužek C2.
- Konce trubek spojte kolenem E tak, aby se odsávací trubka spalín A zasunula do spalínového kolena ve vzdálenosti cca 5 mm od větrací trubky B.
- Nasadte pryžovou objímku D tak, aby zakrývala prostor mezi kolenem E a trubkou o průměru 100 mm.
- Koleno E nasadte na vzduchový kryt Q se 4 šrouby.
- Prostor mezi trubkou B a stěnou vyplňte cementovou maltou nebo podobným materiálem.

**Při tomto typu instalace nesmí být trubky delší než 1 m. Nepoužívejte žádné nástavce.**



**Clicson**  
(teplotní ochrana 120°C ± 3)





## PŘÍVOD PLYNU



### UPOZORNĚNÍ!

**Instalaci, první zapnutí a seřízení v rámci údržby musí provádět výhradně kvalifikovaný personál v souladu s uvedenými pokyny.**

- Zkontrolujte, zda přiváděný plyn odpovídá plynu uvedenému na identifikačním štítku zařízení.
- Otevřete dveře a okna.
- Zabraňte přítomnosti jisker a volných plamenů.
- Zařízení mohou být kalibrována pro činnost s plynem metan G20 (pci) cca 8 100 kcal/m<sup>3</sup>; při použití tohoto plynu proto není požadováno žádné nastavení. Kalibrace při jiných plynech musí být provedena kvalifikovaným technikem.
- Připojení plynového potrubí k ventilu musí být provedeno prostřednictvím trubky o průměru 1/2" G.
- Doporučuje se zařadit před plynovou jednotku uzavírací ventil.
- Připojení k síti musí být provedeno prostřednictvím trubky (ocelové, měděné apod.). Nesmí být provedeno s použitím termoplastů a/nebo gumy.
- Po odložení hlavice a provedení připojení k síti zkontrolujte těsnost plynového rozvodu použitím mýdlového roztoku. Neprovádějte kolaudaci s plameny.

Ohříváč vody je vybaven hořčíkovou anodou, která je namontovaná v kotli. Životnost anody je úměrná průměrné teplotě, chemickému složení vody a množství odběrů.

V každém případě je vhodné provést každých 18÷-24 měsíců kontrolu stavu anody, která se musí vyznačovat poměrně homogenním povrchem. Při poklesu průměru jejího pod 10÷12 mm se doporučuje provést její výměnu s použitím originální nové anody.

POZN.: Anoda je namontovaná ve spodní části zařízení, pod ochrannou hlavici.

## VYHRAZENO PRO TECHNIKA PROVÁDĚJÍCÍHO INSTALACI

**Pokyny pro přizpůsobení k činnosti s jiným plynem než byl použitý pro kalibraci. Ze zemního plynu (G20) na Kapalný plyn (G30-G31) s plynovým ventilem model EUROSIT**

Při přizpůsobení ohřívače vody jinému plynu než byl použitý při kalibraci postupujte níže uvedeným způsobem.

- Vyměňte trysku 1 hlavního hořáku, **obr. H.**

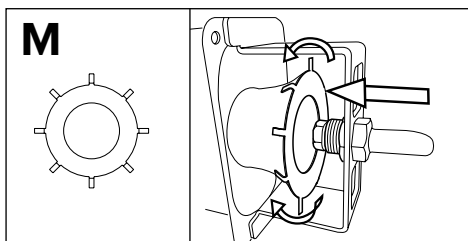
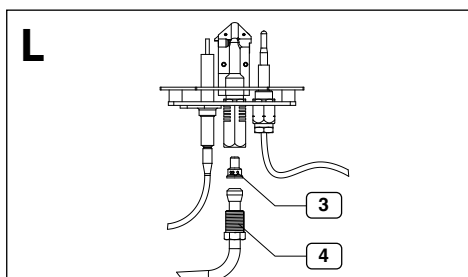
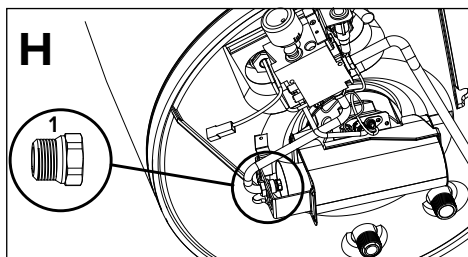
Odšroubujte a vyjměte trysku 1 a nahraďte ji novou tryskou.

- Odšroubujte spojku 4 na **obr. L.** a potáhněte trubku směrem ven. Vyměňte trysku 3 pilotního hořáku za jinou, vhodného typu.

Vložte a připevněte spojku 4.

- vložte membránu mezi trysku a Venturi, jak je znázorněno na **obr. M**

- Rozměry otvorů trysek, vyjádřené v setinách milimetru, jsou uvedené v následující tabulce:



	HLAVNÍ HOŘÁK	PILOTNÍ HOŘÁK
PLYN metan (G20)	160	22x2
Kapalný plyn (G30-G31)	100	22x1

### SEŘÍZENÍ PLAMENE PILOTNÍHO HOŘÁKU (Ventil EUROSIT)

Seřízení se provádí prostřednictvím šroubu 13, **obr. S.**

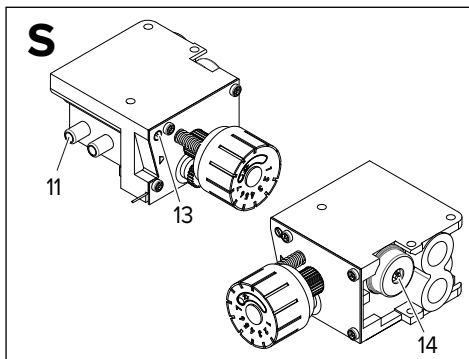
Plamen pilotního hořáku je seřízen, když je jeho délka přibližně 2-3 cm a zasahuje horní část termočlánku.

## KONTROLA PŘÍVODNÍHO TLAKU

Tlak přívodu plynu se měří v tlakové zásuvce 11, **obr. S**, prostřednictvím tlakoměru a je vyjádřen v milibarech.

### ! VÝSTRAHA!

V případě použití plynu G30, G31 odšroubujte ventil n. 14, **obr. S**, otočením proti směru hodinových ručiček.



		TLAK PŘÍVODU PLYNU	HOŘÁK TLAK
PLYN metan (G20)		20 mbar	13 mbar
Kapalný PLYN	Butan (G30)	29 mbar	28,5 mbar
	Propan (G31)	37 mbar	36 mbar

## ZAPNUTÍ

### ! UPOZORNĚNÍ!

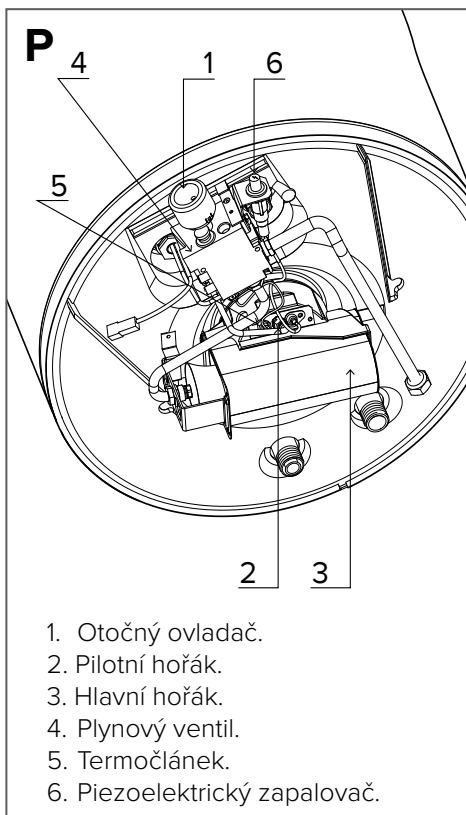
Před zapnutím hořáku zkontrolujte, zda se jednotka nachází přesně ve svém uložení a zda během přepravy nedošlo k poškození jednotlivých komponentů.

Přestavte otočný ovladač 1 z polohy **O** (vypnuto) do polohy **★** (zapnutý pilotní hořák), **obr. P**.

Stiskněte otočný ovladač 1 až na doraz, přidržte jej stisknutý a současně stiskněte piezoelektrický zapalovač 2. Zkontrolujte, zda je zapálený plamen hořáku. Když je plamen zapálený, přidržte otočný ovladač B stisknutý ještě po dobu přibližně 20 sekund.

Když plamen hořáku nezůstane zapálen, zopakujte výše popsaný postup.

Vyšší doba je potřebná kvůli umožnění odvedení vzduchu, který se případně mohl zdržovat v plynovém potrubí.



1. Otočný ovladač.
2. Pilotní hořák.
3. Hlavní hořák.
4. Plynový ventil.
5. Termočlánek.
6. Piezoelektrický zapalovač.

## ÚDRŽBA

Provádění údržby je nezbytným předpokladem pro řádnou činnost a dlouhou životnost zařízení. Je třeba ji provádět v souladu s platnými normami.



### UPOZORNĚNÍ!

**Před zahájením úkonů údržby zavřete přívod plynu a vody rozvodu s teplou užitkovou vodou.**

Doporučuje se provést na zařízení alespoň jednou ročně následující kontroly:

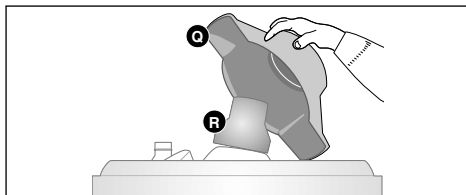
1. Kontrola těsnosti části s vodou.
2. Kontrola těsnosti části s plynem spojená s případnou výměnou těsnění.
3. Vizuální kontrola celkového stavu zařízení a hoření.
4. Vizuální kontrola spalovací komory a případné vyčištění hořáku.
5. Případná demontáž a čištění trysky po kontrolách uvedených v bodě 3 a 4.
6. Nastavení pro dosažení správného průtoku plynu.
7. Kontrola činnosti bezpečnostních systémů rozvodu vody (mezní teplota a mezní tlak).
8. Kontrola činnosti bezpečnostních systému rozvodu plynu (nepřítomnost plynu nebo plamene, plynový ventil apod.).
9. Kontrola parametrů ventilace místnosti.
10. Zkontrolujte parametry odvádění spalin.

POZN.: Vnitřní tělo ohříváče vody nesmí být během uvedeného postupu vystaveno nára-

zům, které by mohly poškodit vnitřní ochranný plášť.

### Čištění výfukové trubky kouřovodu

Vypněte spotřebič, poté demontujte horní kryt Q a odtokový adaptér R, jak je znázorněno na obrázku;



vyjměte odvodušňovač kouře a vyčistěte kour s kovovým kartáčem a dejte pozor, abyste jeho nátěr nepoškodili.

### Informace pro Uživatele

Informujte uživatele o způsobech činnosti zařízení. Zejména nezapomeňte doručit uživateli návody k použití a informovat jej o tom, že je tyto návody třeba uschovat jako součásti zařízení.

Dále poskytněte uživateli následující informace:

- O způsobu nastavení teploty a regulačních zařízení za účelem zajištění správné a úsporné správy zařízení.
- O potřebě pravidelného provádění údržby rozvodu v souladu se zákonem stanovenými požadavky.
- O tom, že je jednoznačně zakázáno měnit nastavení týkající se přívodu vzduchu podporujícího hoření a spalovaného plynu.

## IDENTIFIKAČNÍ ŠTÍTEK

výrobní číslo		
Rok výroby	Datum výroby (vztažen na den v roce)	

## TECHNICKÉ PARAMETRY

Identifikační označení modelu dodavatele	S/SGA BF X ...	
Model	80	100
Certifikát ES	51CT4924	
Jmenovitá kapacita	l	75
Reálná kapacita	l	75,7
Jmenovitý tlak	bar	8
Jmenovitý tepelný výkon	kW	3,7
Jmenovitý tepelný výkon (G30-G31)	kW	3,5
Užitkový výkon	kW	3,3
Užitkový výkon (G30-G31)	kW	3,1
Doba ohřevu ACS t 45 °C	min.	54
Erp		
Deklarovaný zátěžový profil	M	M
Energetická účinnost ohřevu vody $\eta_{wh}$	%	65
Energetická třída	A	A
Denní spotřeba paliva $Q_{fuel}$	kWh	9,916
Úroveň akustického výkonu $L_{WA}$	dB	55
Emise oxidu dusíku (spalné teplo)	[mg/kWh]	54
Roční spotřeba paliva AFC	GJ/rok	7,1
Směšená voda při 40 °C V40	l	95
Cílová teplota přednastavená ve výrobním závodě	°C	60
Vztažné nastavení termostatu	5	5
Tlak připojení plynu		
Metan G20	mbar	20,0
Kapalný plyn (butan) G30	mbar	29,0
Kapalný plyn (propan) G31	mbar	37,0
Spotřeba plynu		
Metan G20	m <sup>3</sup> /h	0,416
Kapalný plyn (butan) G30	Kg/h	0,122
Kapalný plyn (propan) G31	Kg/h	0,161
Hodnoty spalin		
Tah	mbar	0,015
Hmotnostní průtok spalin	g/s	1,91
Teplota spalin	°C	135

**Ohledně seznamu ekvivalentních modelů vycházejte z přílohy A, která je nedílnou součástí této příručky.**

Výrobky bez štítku a příslušného listu pro soustavy ohřevačů vody a solárních zařízení, které vyžaduje nařízení 812/2013, nejsou určeny pro realizaci těchto systémů.

## VŠEOBECNÉ BEZPEČNOSTNÉ POKYNY

**1. Pozorne si prečítajte pokyny a varovania uvedené v tomto návode, pretože poskytujú dôležité informácie ohľadom bezpečnosti inštalácie, použitia a údržby. Tento návod tvorí neoddeliteľnú a nevyhnutnú súčasť výrobku. Musí byť stále súčasťou zariadenia, a pri jeho postúpení a/alebo pri jeho premiestnení na iné miesto, musí byť odovzdaný novému majiteľovi alebo používateľovi.**

2. Výrobca nemôže byť zodpovedný za prípadné ublíženie na zdraví osôb a zvierat alebo za škody na majetku vyplývajúce z nesprávneho, chybného alebo nerozumného použitia alebo z nedodržania pokynov uvedených v tomto návode.

3. Toto zariadenie slúži na produkciu teplej úžitkovej vody, určenej pre použitie v domácnosti. Musí byť pripojené do rozvodu teplej úžitkovej vody (TUV) v súlade s jeho vlastnosťami a výkonom. Je zakázané použitie na iný účel, ako je výhradne uvedené. Výrobca nemôže byť zodpovedný za prípadné škody, vyplývajúce z nesprávneho, chybného alebo nerozumného použitia alebo z nedodržania pokynov uvedených v tomto návode.

Technik vykonávajúci inštaláciu musí byť oprávnený pre inštaláciu zariadenia pre ohrev v súlade s Ministerskou vyhláškou č. 37 z 22. januára 2008 a obdobnými predpismi, ktoré obsahujú nariadenie ohľadom inštalácie rozvodov v budovách.

Toto zariadenie odpovedá z hľadiska materiálov prichádzajúcich do styku s úžitkovou vodou požiadavkám Ministerskej vyhlášky č. 174/2004 z 6. apríla 2004.

4. Inštalácia, údržba a akýkoľvek zárok sa musia vykonávať v súlade s platnými normami a pokynmi, ktoré poskytol výrobca v súlade so súvisiacou legislatívou (Vyhl. prez. rep. 74/2013 a obdobné predpisy). V prípade poruchy a/alebo nesprávnej činnosti vypnite zariadenie, zatvorte plynový ventil a nepokúšajte sa o opravu zariadenia, ale obráťte sa na kvalifikovaný personál.

Prípadné opravy môžu byť vykonané len kvalifikovanými technikmi, ktorí pritom musia použiť výhradne originálne náhradné diely. Nedodržanie vyššie uvedených pokynov môže negatívne ovplyvniť bezpečnosť zariadenia a zbaviť výrobcu akejkoľvek zodpovednosti.

V prípade prác alebo údržby na konštrukciách, ktoré sa nachádzajú v blízkosti potrubí alebo zariadení na odvádzanie spalín a ich príslušenstva, je potrebné vypnúť zariadenie a po ukončení prác nechať vykonať kontrolu potrubia a zariadenia kvalifikovaným technickým pracovníkom.

5. Súčasti obalu (spony, plastové vrecúška, penový polystyrén, atď.) sa nesmú nechať v dosahu detí, pretože predstavujú nebezpečenstvo.

6. Toto zariadenie smú používať deti mladšie ako 8 rokov a osoby s obmedzenými fyzickými, zmyslovými alebo duševnými schopnosťami a osoby bez skúseností alebo potrebných znalostí, len ak sú pod dozorom alebo boli poučené o bezpečnom použití zariadenia a chápu súvisiace nebezpečenstvo.

Deti sa nesmú hrať so zariadením. Čistenie a údržbu, ktoré má vykonávať používateľ, nesmú vykonávať deti bez dozoru.

7. Platí povinnosť naskrutkovať na rúrku pre prívod vody do zariadenia poistný ventil, ktorý vyhovuje národným predpisom. V krajinách, ktoré prijali normu EN 1487, musí byť súčasťou bezpečnostná jednotka, ktorá je v zhode s uvedenou normou; musí byť vhodná pre tlak maximálne 0,7 MPa a jej súčasťou musí byť najmenej uzatvárací ventil, spätný ventil, poistný ventil a zariadenie na prerušenie zaťaženia spôsobeného tlakom vody.

8. Pretlakové zariadenie (poistný ventil alebo bezpečnostná jednotka) nesmie byť vystavené neoprávnenému zásahu a musí byť pravidelne uvádzané do činnosti kvôli odstráneniu prípadných nánosov vodného kameňa a kvôli overeniu, či nie je zablokovaný.

9. Kvapkanie pretlakového zariadenia vo fáze ohrevu vody je bežným javom. Z tohto dôvodu je potrebné pripojiť výstup, ktorý však musí byť otvorený do atmosféry; pripojenie sa vykonáva prostredníctvom drenážnej hadice, nainštalovanej so sklonom smerom nadol, na mieste, kde nedochádza k tvorbe ľadu.
10. Keď má zariadenie zostať nepoužívané v miestnosti vystavenej mrazu, je nevyhnutné ho vyprázdniť a odpojiť od elektrickej siete.
11. Teplá voda ohriata nad 50 °C môže na prevádzkových ventiloch okamžite spôsobiť vážne popáleniny. Deti, postihnuté osoby a starší ľudia sú viac vystavení tomuto riziku. Preto sa odporúča použiť termostatický zmiešavací ventil s objímkou červenej farby, ktorý je potrebné naskrutkovať na rúrku pre výstup vody zo zariadenia.
12. Žiadny horľavý prvok nesmie prichádzať do styku so zariadením a/alebo sa nesmie nachádzať v jeho blízkosti.
13. Nestojte pod zariadením a neumiestňujte pod zariadenie žiadne predmety, ktoré by mohli byť poškodené prípadným únikom vody.
14. Na čistenie zariadenia nepoužívajte insekticídy, rozpúšťadlá ani agresívne čistiace prostriedky, pretože hrozí riziko poškodenia plastových alebo lakovaných častí.
15. V prípade, ak ucítite zápach spáleniny, alebo uvidíte dym unikajúci zo zariadenia, vypnite zariadenie, zatvorte hlavný ventil prívodu plynu, otvorte okná a upozornite na vzniknutý problém príslušného technika. Pozor! Hrozí riziko popálenia, vdýchnutia spalín alebo otravy!
- 16. Pre zaistenie účinnosti a správnej činnosti zariadenia je potrebné vykonávať ročnú údržbu a analýzu spalín, a to v lehotách stanovených zákonmi platnými na danom území. Technický personál musí byť kvalifikovaný a musí vyplniť servisnú knižku v súlade s platnými predpismi.**

# UŽIVATEĽSKÝ NÁVOD NA POUŽITIE

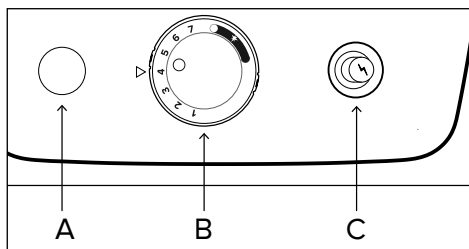


## UPOZORNENIE!

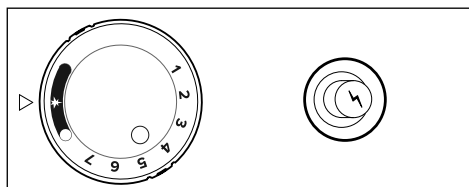
Inštaláciu, prvé zapnutie a nastavenie v rámci údržby musí vykonávať výhradne kvalifikovaný pracovník v súlade s uvedenými pokynmi.

Chybná inštalácia môže spôsobiť ublíženie na zdraví osôb a zvierat a škody na majetku, za ktoré výrobca nemôže byť zodpovedný. Keď je zariadenie nainštalované vo vnútri bytu, skontrolujte, či sú dodržané nariadenia, týkajúce sa prívodu vzduchu a ventilácie miestnosti (v rámci platnej legislatívy).

## POSTUP PRI ZAPNUTÍ



Prestavte otočný ovládač B z polohy ○ (vypnutý) do polohy ★ (zapnutý pilotný horák).



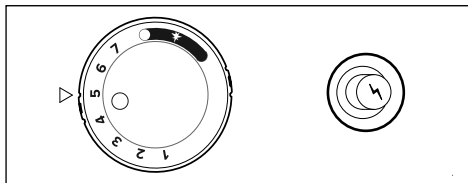
Stlačte otočný ovládač B až na doraz, pridržte ho v stlačenej polohe a súčasne stlačte piezoelektrický zapaľovač C.

Cez otvor A skontrolujte, či je zapálený plameň horáka. Keď je plameň zapálený, pridržte otočný ovládač B stlačený ešte približne 20 sekúnd.

Keď plameň horáka nezostane horieť, zopakujte vyššie popísaný postup.

## NASTAVENIE TEPLoty VODY

Prostredníctvom otočného ovládača B je možné nastavovať teplotu teplej vody. Otočte otočný ovládač z polohy zapnutia do polohy ★ do polohy od 1 do 7.



Pre Väčšie Množstvo Teplej Vody Je Doporučené Nechať Volič V Polohe (5) A Vodu Zmiešať Pre Dosiahnutie Požadovanej Teploty.



## UPOZORNENIE!

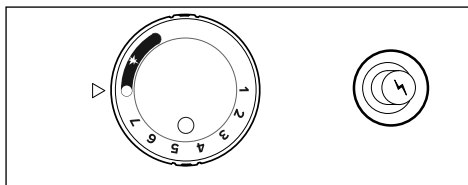
Produkovaná teplá voda s teplotou nad 50°C môže okamžite spôsobiť vážne popáleniny. Teplota vody vo výrobku môže túto teplotu prekročiť, zvlášť po dlhšom období bez odberu vody vďaka izolácii.

Vždy skontrolujte teplotu vody pred jej použitím.

Odporúčame take použiť termostatické zmiešavacie ventily.

## POSTUP PRI VYPNUTÍ

Pre vypnutie zariadenia otočte otočný ovládač B do polohy ○ (vypnuté).



V prípade dlhšej doby bez potreby ohrevu vody sa doporučuje výrobok vypnúť



# UŽIVATEĽSKÝ NÁVOD NA POUŽITIE

## RADY PRE POUŽITIE

Zabezpečte, aby boli ventily rozvodu teplej vody dokonale vodotesné, pretože kvapkanie znamená spotrebu plynu a možné zvýšenie teploty vody.

Ak bude rozvod nepoužívaný v miestnosti vystavenej pôsobeniu mrazu, zariadenie vypustíte.

Pri vypustení zariadenia je potrebné:

- a) vypnúť horák a zatvoriť prívod plynu;
- b) zatvoriť ventil prívodu vody na vstupe zariadenia;
- c) odmontovať rúrku pre prívod studenej vody i poistný ventil;
- d) pripojiť hadicu, s dĺžkou vhodnou pre vzdialenosť od odtoku po rúrku pre prívod vody (s modrým krúžkom) ohrievača vody;
- e) otvoriť ventil pre dodávku teplej vody na výstupe zariadenia.

### Upozornenie!

**Pri vypúšťaní môže zo zariadenia vytekať vriaca voda.**

Pred čistením vonkajších častí vypnite zariadenie. Čistíte vlhkou handrou, namočenou v mydlovej vode.

Nepoužívajte agresívne čistiace prostriedky, insekticídy ani toxické výrobky. Dodržanie platných noriem umožní bezpečnú a ekologickú činnosť a úsporu energie.

**POZNÁMKA:** Vnútrotné telo ohrievača vody nesmie byť počas uvedeného postupu vystavené nárazom, ktoré by mohli poškodiť vnútrotný ochranný plášť.

## ODPORÚČANIE PRE PREDCHÁDZANIE ŠÍRENIU LEGIONELLY

Legionella je druh baktérie v tvare tyčinky, ktorá sa prirodzene nachádza vo všetkých pramenitých vodách.

„Legionárska choroba“ je špecifický zápal pľúc, spôsobený inhaláciou vodnej pary, ktorá obsahuje uvedenú baktériu. Z tohto pohľadu je potrebné zabrániť dlhodobej stagnácii vody v ohrievači vody a vyprázdniť ho, alebo vodu zužitkovať aspoň v týždenných intervaloch.

Európska norma CEN/TR 16355 obsahuje pokyny ohľadne správnych postupov, ktoré je potrebné prijať na zabránenie množeniu legionelly v pitných vodách, a ak sú v platnosti ešte prísnejšie miestne normy v súvislosti s legionellou, je potrebné ich aplikovať.

Tento akumuláčny ohrievač vody sa predáva s termostatom s pracovnou teplotou vyššou ako 60 °C; preto je vhodný na vykonanie cyklu tepelnej dezinfekcie, obmedzujúceho šírenie baktérií legionelly v zásobníku.


Aby sa zabránilo dlhodobému odstátiu vody, je potrebné ju používať, alebo nechať dostatočne odtiecť najmenej raz týždeň.


### UPOZORNENIE!

**Voda s teplotou vyššou ako 50 °C spôsobuje vážne popáleniny. Pred akýmkoľvek použitím vždy skontrolujte teplotu vody.**


## BEZPEČNOSTNÉ POKYNY PRE TECHNIKA VYKONÁVAJÚCEHO INŠTALÁCIU

Vysvetlivky k symbolom:


 Nedodržanie varovania má za následok riziko ublíženia na zdraví osôb, za určitých okolností aj smrteľné.


 Nedodržanie varovania má za následok riziko spôsobenia škôd na majetku, rastlinách alebo ublíženia zvieratám, za určitých okolností i vážnych. Výrobca nebude môcť byť považovaný za zodpovedného za prípadné škody, spôsobené nevhodným použitím výrobku alebo chýbajúcim prispôbením inštalácie pokynom, uvedeným v tomto návode

**Nainštalujte zariadenie na pevnú stenu, ktorá nie je vystavená vibráciám.**


 Hlučnosť počas činnosti.


**Pri vŕtaní do stien dbajte na to, aby nedošlo k poškodeniu existujúcich elektrických káblov alebo potrubí.**

 Zásah elektrickým prúdom následkom styku s vodičmi pod napätím. Poškodenie existujúcich rozvodov.


 Vytopenie následkom úniku vody z poškodených potrubí.


**Uistite sa, že prostredie, do ktorého je zariadenie inštalované a rozvody, ku ktorým je potrebné ho pripojiť, odpovedajú platným predpisom.**

 Zásah elektrickým prúdom v dôsledku styku s chybné nainštalovanými vodičmi pod napätím.


 Poškodenie zariadenia následkom nevhodných podmienok činnosti.

**Použite manuálne náradie a zariadenia vhodné pre daný účel (hlavne sa uistite, či nie je náradie opotrebované a či je jeho rukoväť neporušená a riadne upevnená), použite ho predpísaným spôsobom, zaistite ich proti pádu z výšky a po použití ich uschovajte.**


 Ublíženie na zdraví, spôsobené vymrštením úlomkov alebo fragmentov, inhaláciou prachu, nárazmi, porезaním, pichnutím, odermi.

 Poškodenie zariadenia alebo okolitých predmetov následkom vymrštenia úlomkov, úderov, zárezov.

**Uistite sa, či sú prenosné rebríky opreté stabilným spôsobom, či sú dostatočne odolné, či sú jednotlivé priečky neporušené a či nie sú klzké, či sú dostatočne zaistené proti presunom počas ich použitia, či je prítomný niekto, kto dohliada na dodržanie uvedených požiadaviek.**

 Ublíženie na zdraví následkom pádu z výšky alebo pádu zapríčineného rebríkom (pri dvojítych rebríkoch).


**Uistite sa, či sú rebríky a nástavba opreté stabilným spôsobom, či sú dostatočne odolné, či sú vybavené zábradlím pozdĺž rampy a na podlahe, či sú jednotlivé priečky neporušené a či nie sú klzké.**

 Ublíženie na zdraví následkom pádu z výšky.


**Počas prác vo výške sa uistite (obvykle pri prevýšení väčšom ako dva metre), či je pracovná plocha ohraničená zábradlím alebo osobnými ochrannými postrojmi zabráňujúcimi pádu, či je priestor, v ktorom by prebiehal prípadný pád, zbavený nebezpečných prekážok, či by bol prípadný pád utlmený polopevnými alebo deformačnými povrchmi.**

 Ublíženie na zdraví následkom pádu z výšky.


**Uistite sa, či pracovný priestor disponuje vhodnými hygienicko-sanitárnymi podmienkami, týkajúcimi sa osvetlenia, vetrania a pevnosti.**

 Ublíženie na zdraví následkom nárazov, zakopnutí, atď.


**Chráňte zariadenie a okolie pracovného priestoru použitím vhodného materiálu.**

 Poškodenie zariadenia alebo okolitých predmetov následkom vymrštenia úlomkov, úderov, zárezov.


**Manipulujte so zariadením s použitím vhodných ochrán a s potrebnou opatrnosťou.**

 Poškodenie zariadenia alebo okolitých predmetov následkom nárazov, úderov, zárezov a pritlačení.


**Počas činnosti používajte ochranný odev a osobné ochranné prostriedky. Je zakázané dotýkať sa nainštalovaného výrobku bez obuvi alebo s mokrymi časťami tela.**

 Ublíženie na zdraví, spôsobené zásahom elektrického prúdu, vymrštením úlomkov alebo fragmentami, inhaláciou prachu, nárazmi, porezaním, pichnutím, odermi, hlukom, vibráciami.


**Rozmiestnite materiál a zariadenia tak, aby umožňovali pohodlnú a bezpečnú manipuláciu a vyhnite sa stavaniu hromád, ktoré by mohli povoliť alebo spadnúť.**

 Poškodenie zariadenia alebo okolitých predmetov následkom nárazov, úderov, zárezov a pritlačení.


**Úkony vo vnútri zariadenia sa musia vykonávať s potrebnou opatrnosťou a je potrebné sa pri nich vyhnúť styku so zahrotenými súčastami.**

 Ublíženie na zdraví, spôsobené porezaním, pichnutím a odermi.


**Po ukončení zásahu na zariadení obnovte všetky bezpečnostné a kontrolné funkcie a presvedčte sa o ich funkčnosti ešte pred opätovným uvedením zariadenia do činnosti.**


 Poškodenie alebo zablokovanie zariadenia následkom nekontrolovanej činnosti.

**Aktiváciou príslušných odvzdušnení vyprázdňte súčasti, ktoré by mohli obsahovať teplú vodu, ešte predtým, ako s nimi budete manipulovať.**

 Ublíženie na zdraví osôb následkom popálenín.

**Očistite súčasti od vodného kameňa a dodržte pritom pokyny, uvedené v bezpečnostnom liste použitého produktu; pritom vetrajte dané prostredie, použite osobné ochranné prostriedky, zabráňte zmiešavaniu odlišných produktov a ochráňte zariadenia a okolité predmety.**

 Ublíženie na zdraví osôb následkom styku kože alebo očí s kyslými látkami, inhalácie alebo použitia škodlivých chemických látok.

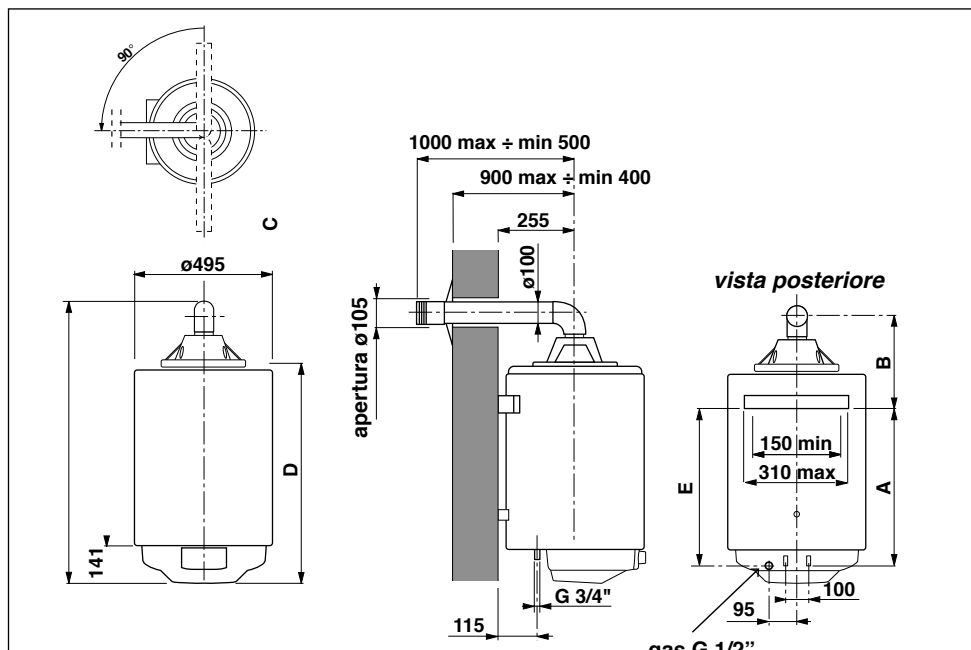
 Poškodenie zariadenia alebo okolitých predmetov následkom korózie spôsobenej kyslými látkami.

## TECHNICKÉ ÚDAJE

### K súčastiam zariadenia patria:

- zásobník chránený na vnútornej strane vrstvou lakovaného smaltu, vybavený ochrannou anódou proti dlhodobej korózii;
- vonkajší plášť z lakovaného plechu;
- izolácia z polyuretánovej peny s vysokou hustotou (bez CFC), ktorá znižuje tepelné straty;
- odsávač dymu proti spätnému toku spalín;
- plynový ventil vybavený:  
termostatom nastaviteľným do viacerých polôh,  
bezpečnostným systémom s termočlánkom;  
obmedzovačom teploty, ktorý preruší prívod plynu v prípade poruchovej činnosti;
- tichý rúrkový horák z nehrdzavejúcej ocele, prispôsobiteľný pre všetky druhy plynov;
- piezoelektrický zapalovač;
- bezpečnostné zariadenie na ochranu proti spätnému toku spalín.

### VONKAJŠIE ROZMERY



MODEL	Objem (l)	A	B	C	D	E
80	75	495	365	945	702	510
100	100	640	375	1125	847	656

**KATEGÓRIA II**<sub>2H3+</sub>  
**Typ C11**

Pre zariadenia usposobené pre zemný plyn (metán), ktoré sú prispôsobiteľné pre činnosť s kvapalným plynom.



### UPOZORNENIE!

**Nainštalujte zariadenie na pevnú stenu, ktorá nie je vystavená vibráciám.**

**Pri vŕtaní do stien dávajte pozor, aby nedošlo k poškodeniu existujúcich elektrických káblov alebo potrubia.**

**Uistite sa, že prostredie, do ktorého je zariadenie inštalované a rozvody, ku ktorým je potrebné ho pripojiť, odpovedajú platným predpisom.**

### UMIESTNENIE

Aby bolo možné pohodlne vykonať úkony údržby zariadenia, je potrebné dodržať minimálne vzdialenosti uvedené na obrázku.

Zariadenie umiestnite s použitím vodováhy.

Prichytenie na stenu sa vykonáva prostredníctvom mohutných hákov (vhodných pre udržanie hmotnosti plne zaťaženého zariadenia) vopred pripevnených na stenu. Vzdialenosti sú uvedené v tabuľke vonkajších rozmerov.

### Miesto inštalácie

Pri voľbe miesta inštalácie zariadenia dodržujte nariadenia platných noriem.

Zariadenie musí byť nainštalované do dokonale zvislej polohy. Zariadenie nesmie byť nainštalované do blízkosti zdroja tepla.

Zariadenie neinštalujte do prostredia, kde môže teplota klesnúť až na 0 °C.

### PRIPOJENIE K ROZVODU VODY

- Pripojenie k vodovodnej sieti je potrebné vykonať rúrkou s priemerom 3/4" G. Prívod studenej vody je označený modrým krúžkom, zatiaľ čo výstup teplej vody je označený červeným krúžkom).
- Na potrubí prívodu vody (s modrým krúžkom) zariadenia musí byť namontovaný poistný/spätný vodný ventil. Do ventilu sa nesmie nijakým spôsobom neoprávnenne zasahovať.
- Nechajte vodu určitú dobu vytekať a uistite sa pritom, že sa v potrubí nenachádzajú cudzie telesá, ako sú kovové triesky, piesok, konope, atď. Ak by takéto predmety vnikli do poistného-spätného ventilu, ohrozili by jeho riadnu činnosť a v niektorých prípadoch by mohli dokonca spôsobiť jeho prasknutie.
- Uistite sa, že tlak v rozvode pre dodávku teplej vody neprekračuje 8 barov (0,8 MPa). V prípade vyššieho tlaku platí povinnosť použiť vysoko kvalitný reduktor tlaku. V takom prípade musí vodný ventil vo fáze ohrevu nutne kvapkať. Kvapkanie sa musí objaviť tiež v prípade, keď je na vstupe ventilu aplikovaný spätný ventil.

### DÔLEŽITÁ INFORMÁCIA!

**Keď je zariadenie nainštalované do oblasti s tvrdou vodou (> 200 mg/l), je potrebné nainštalovať zmäkčovač kvôli obmedzeniu vytvárania nánosov vodného kameňa vo výmenníku.**

**Záruka sa nevzťahuje na škody spôsobené vodným kameňom.**

## NAPOJENIE ODŤAHU SPALÍN A NASÁVANIA VZDUCHU

Odťah spalín a nasávanie vzduchu musí byť nainštalovaný v súlade s platnými predpismi a pokynmi výrobcu.

Zariadenie je určené na prevádzku v režime C s prívodom vzduchu z vonkajšieho prostredia. Pri inštalácii odťahu spalín buďte opatrní pri manipulácii s tesnením, aby nedošlo k úniku spalín do nasávacieho potrubia.

Horizontálne inštalované potrubie musí mať klesajúci sklon 3%, aby nedochádzalo k hromadeniu kondenzátu.

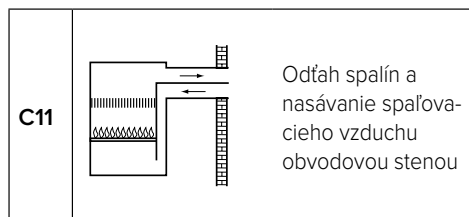
V prípade inštalácií koaxiálnych odťahov je nutné povinné použitie originálneho príslušenstva.

Vedenie odťahu spalín sa nesmie dostať do kontaktu s horľavými materiálmi, nesmie byť umiestnené v ich blízkosti a nesmie viesť stavebnými konštrukciami alebo stenami zhotovenými z horľavých materiálov.

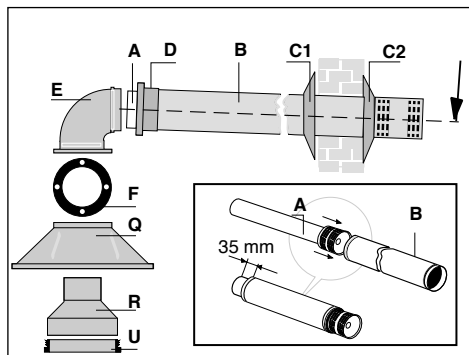
Prepojovacie sady odťahu spalín sú dodávané samostatne podľa rôznych rôznych riešení inštalácie. Dôkladne si preštudujte pokyny priložené k jednotlivým sadám.

### Typy odťahov spalín

Spaľovací vzduch nasávaný z vonku



### INŠTALÁCIA CEZ OBVODOVÚ STENU (TYPE C11)



- A.** Hliníková trubka Ø60 s koncovkou L = 1000 mm (odťah spalín)
- B.** Hliníková trubka Ø100 L = 860 mm (prívod vzduchu)
- C1-C2.** Tesniaci krúžok (č. 2)
- D.** Objímka pre spojenie kolena a trubky
- E.** Hliníkové koleno 90°
- F.** Tesnenie
- Q.** Horný vzduchový kryt
- R.** Adaptér odťahu spalín 90/60
- S.** Tesniaci krúžok (č. 2)
- T.** O-krúžok
- U.** Tesnenie odťahu spalín

Odťah spalín je zvyčajne umiestnený v zadnej časti, ale môže byť aj na bočnej strane pod uhlom 90°. Odťah spalín inštalujte nasledujúcim spôsobom:

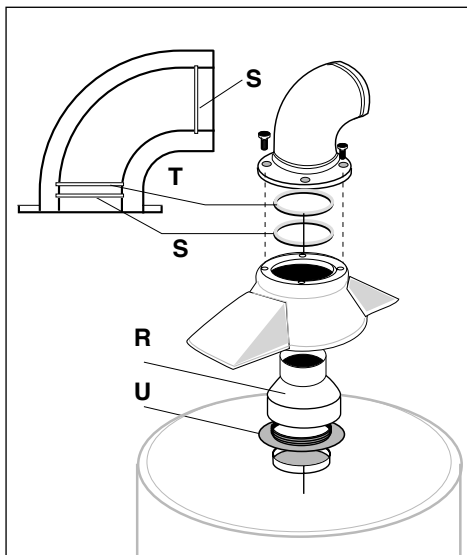
- Tesnenie nasávania U vložte do výfukového potrubia a následne vložte adaptér R (stlačte ho do požadovanej polohy).
  - Nainštalujte horný vzduchový kryt Q a riadne ho priskrutkujte.
  - Tesnenie F vložte do hornej časti krytu Q.
  - Do steny vyvrtajte otvor s min prímerom 105 mm tak, aby bol zabezpečený mierny sklon trubiek smerom von.

- V prípade nutnosti skrátenia odťahu spalín, ho urežte na požadovanú dĺžku. Vnútornú trubku s priemerom 60 mm urežte dlhšiu o 35 mm.
- Trubku odťahu spalín A zasuňte do nasávacej trubky B až po zarážku na konci.
- Do kolena E vložte dve tesnenia S a O-krúžok T.
- Vložte dve tesnenia S a membránu T do ohybu E podľa nasledujúcej tabuľky:

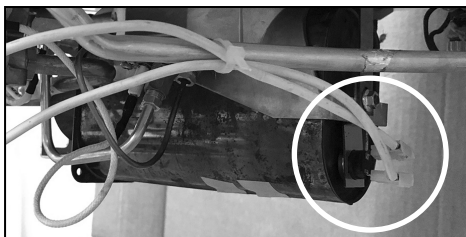
L = dĺžka spalín výfuku [mm]		
	min 500 < L < 750	750 < L < 1000
T	ÁNO	NO

- Na trubku B nasuňte objímku D.
- Do otvoru v stene zauňte koaxiálnu trubku s koncovkou.
- Na trubku B vložte tesniaci krúžok C2 z vonkajšej strany.
- Konce trubiek spojte kolenom E tak, aby sa trubka odťahu spalín A zasuňala do spalinového kolena vo vzdialenosti cca 5mm od trubky prívodu vzduchu B.
  - Nasadte objímku D tak, aby zakrývala priestor medzi kolenom E a trúbkou prívodu vzduchu.
- Koleso E nasadte na horný vzduchový kryt Q.
  - Priestor medzi trúbkou B a stenou vyplňte cementovou maltou alebo podobným materiálom.

**Pri tomto type inštalácie nesmie byť dĺžka potrubia väčšia ako 1m. Nie je dovolené používať žiadne predlžovacie nástavce na predĺženie odťahu spalín.**



**Clicson**  
(teplotná ochrana 120°C ± 3)



## PRÍVOD PLYNU



### UPOZORNENIE!

**Inštaláciu, prvé zapnutie a nastavenie v rámci údržby musí vykonávať výhradne kvalifikovaný pracovník v súlade s uvedenými pokynmi.**

- Skontrolujte, či privádzaný plyn zodpovedá plynu uvedenému na identifikačnom štítku zariadenia.
- Otvorte dvere a okná.
- Zabráňte prítomnosti iskier a voľných plameňov.
- Zariadenia môžu byť kalibrované pre činnosť s plynom metán G20 (pci) pribl. 8 100 kcal/m<sup>3</sup>; pri použití tohto plynu preto nie je požadované žiadne nastavovanie. Kalibrácia pri iných plynoch musí byť vykonaná kvalifikovaným technikom.
- Pripojenie plynového potrubia k ventilu musí byť vykonané prostredníctvom rúrky s priemerom 1/2" G.
- Odporúča sa zaradiť pred plynovú jednotku uzatvárací ventil.
- Pripojenie k sieti musí byť vykonané prostredníctvom rúrky (ocelové, medené, atď.). Nesmie byť vykonané s použitím termoplastov a/alebo gummy.
- Po odložení hlavice a pripojení k sieti skontrolujte tesnosť plynového rozvodu použitím mydlového roztoku. Nevykonávajte kolaudáciu s plameňmi.

Ohrievač vody je vybavený horčíkovou anódou, ktorá je namontovaná v kotli. Životnosť anódy je úmerná priemernej teplote, chemickému zloženiu vody a množstvu odberov.

V každom prípade je vhodné vykonať každých 18÷-24 mesiacov kontrolu stavu anódy, ktorá sa musí mať pomerne homogénny povrch. Pri poklese jej priemeru pod 10÷12 mm sa odporúča vymeniť ju za originálnu novú anódu.

POZN.: Anóda je namontovaná v spodnej časti zariadenia, pod ochrannou hlaviceou.

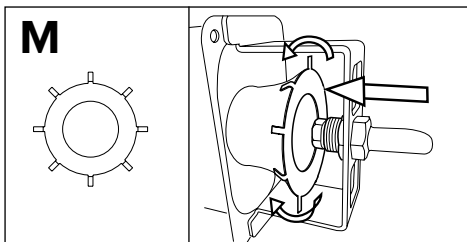
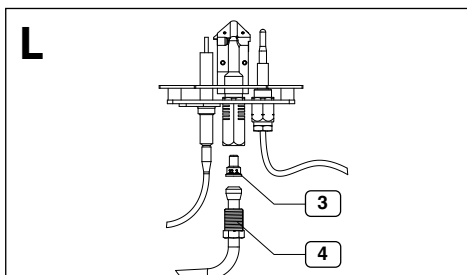
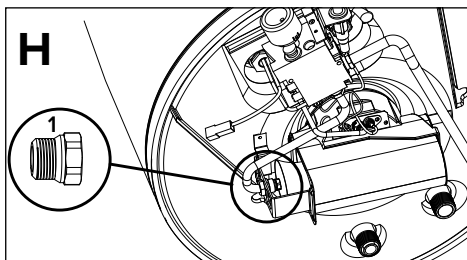


# VYHRADENÉ PRE TECHNIKA VYKONÁVAJÚCEHO INŠTALÁCIU

**Pokyny pre prispôsobenie pre iný plyn ako bol použitý pre kalibráciu. Zo zemného plynu (G20) na Kvapalný plyn (G30-G31) s plynovým ventilom model EUROSIT**

Pri prispôsobení ohrievača vody na iný plyn ako bol použitý pri kalibrácii postupujte nižšie uvedeným spôsobom.

- Vymeňte trysku 1 hlavného horáka, **obr. H.**  
Odskrutkujte a vyberte trysku 1 a nahraďte ju novou tryskou.
- Odskrutkujte spojku 4 na **obr. L.** a potiahnite rúrku smerom von. Vymeňte trysku 3 pilotného horáka za inú, vhodného typu.  
Vložte a pripevnite spojku 4.
- vložte membránu medzi dýzu a hubicu Venturiho trubica, ako je znázornené na **obr. M**
- Rozmery otvoru dýzy, vyjadrené v stotínach milimetrov, sú uvedené v nasledujúcej tabuľke:



	HLAVNÝ HORÁK	PILOTNÝ HORÁK
PLYN metán (G20)	160	22x2
Kvapalný PLYN (G30-G31)	100	22x1

## NASTAVENIE PLAMEŇA PILOTNÉHO HORÁKA (Ventil EUROSIT)

Nastavenie sa vykonáva skrutkou 13, **obr. S.**

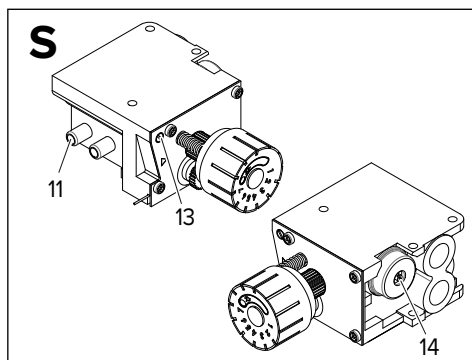
Plameň pilotného horáka je nastavený, keď je jeho dĺžka približne 2-3 cm a zasahuje hornú časť termočlánku.

## KONTROLA PRÍVODNÉHO TLAKU

Tlak prívodu plynu sa meria v tlakovej zásuvke 11, **obr. S**, prostredníctvom tlakomera a je vyjadrený v milibaroch.

### ! VÝSTRAHA!

V prípade použitia plynu G30, G31 odskrutkujte ventil n \* 14, **obr. S**, otočením proti smeru hodinových ručičiek.



		TLAK PRÍVODU PLYNU	HOŘÁK TLAK
PLYN metan (G20)		20 mbar	13 mbar
Kapalný PLYN	Butan (G30)	29 mbar	28,5 mbar
	Propan (G31)	37 mbar	36 mbar

## ZAPNUTIE

### ! UPOZORNENIE!

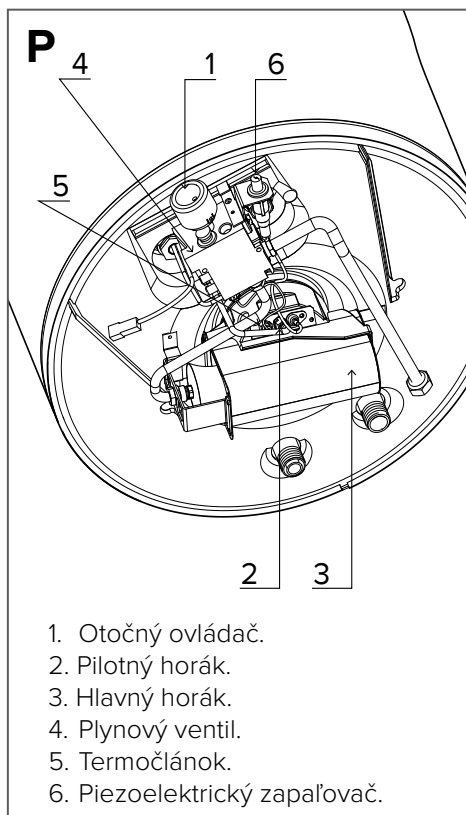
Pred zapnutím horáka skontrolujte, či sa jednotka nachádza presne vo svojom uložení a či počas prepravy nedošlo k poškodeniu jednotlivých komponentov.

Prestavte otočný ovládač 1 z polohy **O** (vypnutý) do polohy **★** (zapnutý pilotný horák), **obr. P**.

Stlačte otočný ovládač 1 až na doraz, pridržte ho stlačený a súčasne stlačte piezoelektrický zapalovač 2. Skontrolujte, či je zapálený plameň horáka. Keď je plameň zapálený, pridržte otočný ovládač B stlačený ešte približne 20 sekúnd.

Keď plameň horáka nezostane horieť, zopakujte vyššie popísaný postup.

Dlhšia doba je potrebná pre odvedenie vzduchu, ktorý nachádza v plynovom potrubí.



## ÚDRŽBA

Vykonávanie údržby je nevyhnutným predpokladom pre riadnu činnosť a dlhú životnosť zariadenia. Je potrebné vykonávať ju v súlade s platnými normami.



### UPOZORNENIE!

**Pred zahájením údržby zatvorte prívod plynu a vody rozvodu s teplou úžitkovou vodou.**

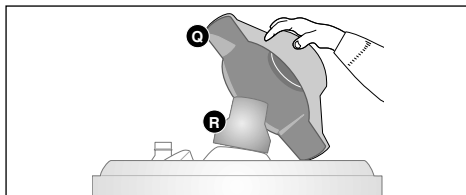
Odporúča sa vykonať na zariadení aspoň raz ročne nasledujúce kontroly:

1. Kontrola tesnosti časti s vodou.
2. Kontrola tesnosti častí s plynom, spojená s prípadnou výmenou tesnení.
3. Vizuálna kontrola celkového stavu zariadenia a horenia.
4. Vizuálna kontrola spaľovacej komory a prípadné vyčistenie horáka.
5. Prípadná demontáž a čistenie trysky po kontrolách uvedených v bode 3 a 4.
6. Nastavenie kvôli dosiahnutiu správneho prietoku plynu.
7. Kontrola činnosti bezpečnostných systémov rozvodu vody (medzná teplota a medzný tlak).
8. Kontrola činnosti bezpečnostných systémov rozvodu plynu (nepriťomnosť plynu alebo plameňa, plynový ventil, atď.).
9. Kontrola parametrov ventilácie miestnosti.
10. Kontrola parametrov odvádzania spalín.

POZN.: Vnútorne telo ohrievača vody nesmie byť počas uvedeného postupu vystavené nárazom, ktoré by mohli poškodiť vnútorný ochranný plášť.

## Čistenie potrubia odvodu spalín

Zariadenie vypnite a podľa obrázka demonštrujete horný vzduchový kryt Q a adaptér R.



vytiahnite spomaľovač spalín a kovovým kartáčom ho očistite od spalín. Zvýšenú pozornosť venujte tomu, aby ste nepoškodili povrchovú úpravu.

## Informácie pre Užívateľa

Informujte užívateľa o spôsoboch činnosti zariadenia.

Hlavne nezabudnite doručiť užívateľovi návody na použitie a informovať ho, že je potrebné uschovať ich ako súčasť zariadenia.

Ďalej poskytnite užívateľovi nasledovné informácie:

- O spôsobe nastavenia teploty a regulačných zariadení kvôli zaisteniu správnej a úspornej správy zariadenia.
- O potrebe pravidelného vykonávania údržby rozvodu v súlade so zákonom stanovenými požiadavkami.
- O tom, že je jednoznačne zakázané meniť nastavenia týkajúce sa prívodu vzduchu podporujúceho horenie a spaľovaného plynu.

## IDENTIFIKAČNÝ ŠTÍTK

 00000000 00,14312,00000000			výrobné číslo
Rok výroby	Dátum výroby (vzťahnutý na deň v roku)		

## TECHNICKÉ PARAMETRE

Identifikačné označenie modelu dodávateľa	S/SGA BF X ...		
Model	80	100	
Certifikát ES	51CT4924		
Menovitá kapacita	l	75	100
Reálna kapacita	l	75,7	99,3
Menovitý tlak	bar	8	8
Menovitý tepelný výkon	kW	3,7	3,7
Menovitý tepelný výkon (G30-G31)	kW	3,5	3,5
Úžitkový výkon	kW	3,3	3,3
Úžitkový výkon (G30-G31)	kW	3,1	3,1
Doba ohrevu ACS t 45 °C	min.	54	64
Erp			
Deklarovaný záťažový profil	M	M	
Energetická účinnosť ohrevu vody $\eta_{wh}$	%	65	65
Energetická trieda	A	A	
Denná spotreba paliva $Q_{fuel}$	kWh	9,916	9,916
Úroveň akustického výkonu $L_{wa}$	dB	55	55
Emisie oxidu dusíka (spalné teplo)	[mg/kWh]	54	54
Ročná spotreba paliva AFC	GJ/rok	7,1	7,1
Zmiešaná voda pri 40 °C V40	l	95	120
Cieľová teplota prednastavená vo výrobnom závode	°C	60	60
Vzťažné nastavenie termostatu		5	5
Tlak pripojenia plynu			
Metán G20	mbar	20,0	20,0
Kvapalný plyn (bután) G30	mbar	29,0	29,0
Kvapalný plyn (propán) G31	mbar	37,0	37,0
Spotreba plynu			
Metán G20	m <sup>3</sup> /h	0,416	0,416
Kvapalný plyn (bután) G30	Kg/h	0,122	0,122
Kvapalný plyn (propán) G31	Kg/h	0,161	0,161
Hodnoty spalín			
Ťah	mbar	0,015	0,015

**Ohľadom zoznamu ekvivalentných modelov vychádzajte z prílohy A, ktorá je neoddeliteľnou súčasťou tejto príručky.**

Výrobky bez štítiku a príslušného listu pre sústavy ohrievačov vody a solárnych zariadení, vyžadovaných nariadením 812/2013, nie sú určené pre realizáciu týchto systémov.







---

Produced by:

**Ariston S.p.A.**



Viale Aristide Merloni, 45  
60044 Fabriano (AN) - ITALY  
ariston.com

